



ILLUSTRATED PARTS BOOK

196cc Rear Tine Tiller

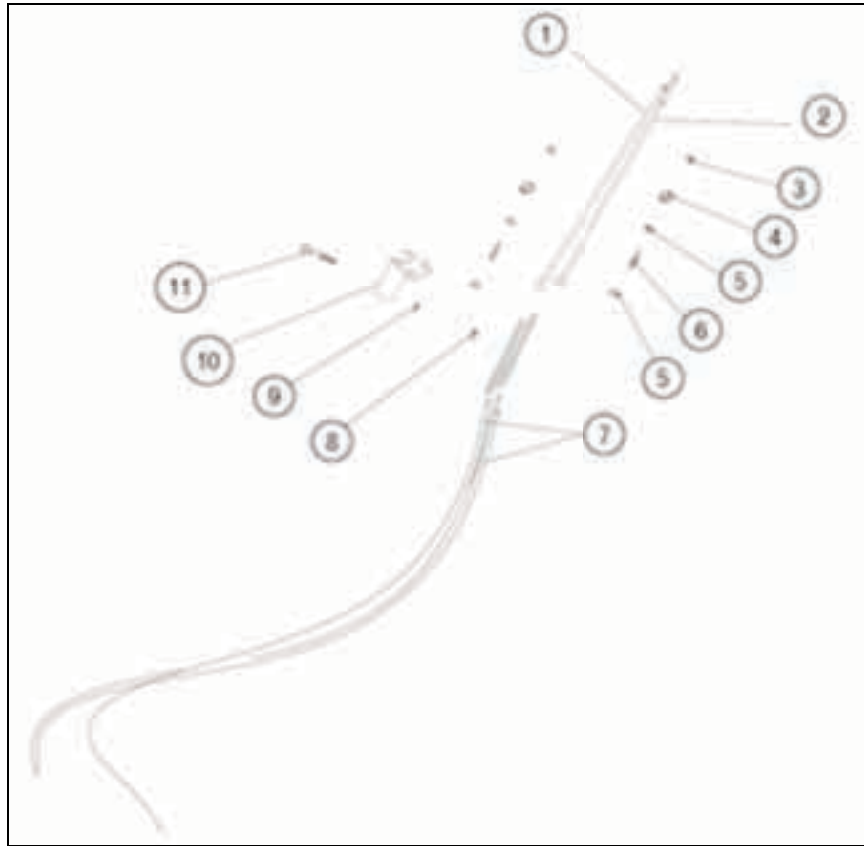
MODEL#: P-RTT-196MD-[E], P-RTT-196MD



Table of Contents

| | |
|--|-------|
| Kit, Forward / Reverse Cable Assembly | 3 |
| Kit, Tine Shield Assembly..... | 4 |
| Kit, Drag Bar Assembly..... | 5 |
| Kit, Tine Bolt Assembly..... | 6 |
| Kit, Tine Assembly..... | 7 |
| Kit, Wheel Assembly..... | 8 |
| Kit, Lock Pin Assembly | 9 |
| Kit, Grip Assembly | 10 |
| Kit, Handle Bar Hardware Assembly | 11 |
| Kit, Mounting Hardware Assembly, Tine Shield | 12 |
| Tiller Exploded View | 13-14 |
| Parts List | 15-18 |

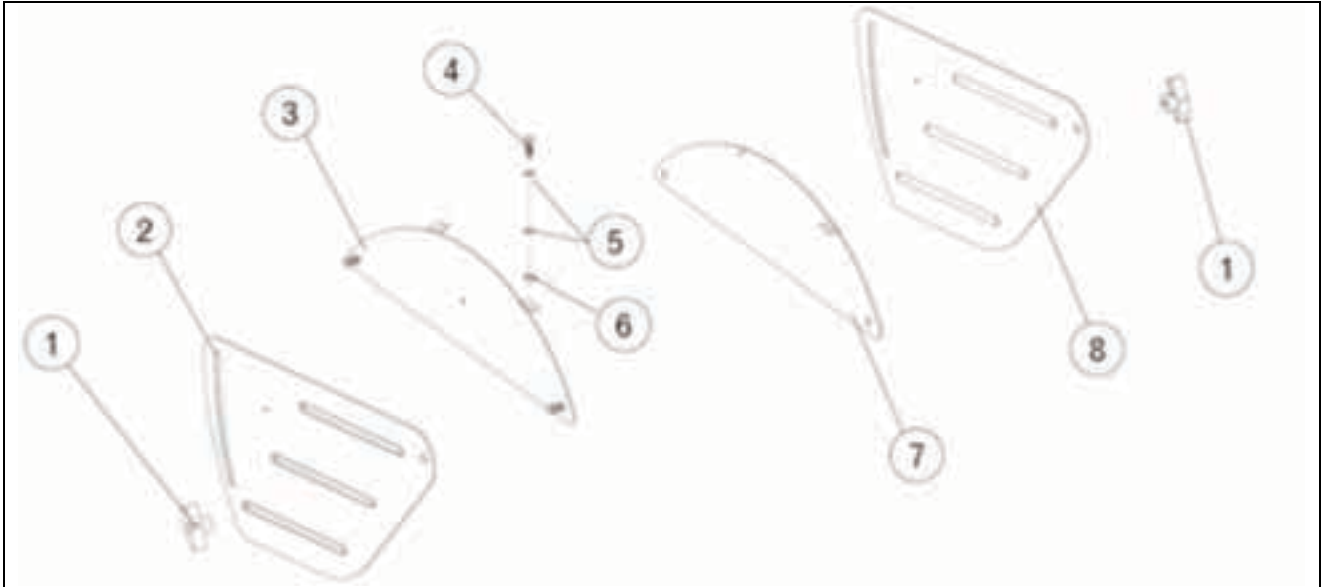
Kit, Forward/Reverse Cable Assembly



| REF. NO. | DESCRIPTION | PART NO. | QTY |
|----------|---------------------------------------|----------|-----|
| | Kit, Forward/Reverse Cable Assembly | A200813 | 1 |
| 1 | Clutch Rod, Reverse | A200498* | 1 |
| 2 | Clutch Rod, Forward | A200499* | 1 |
| 3 | Locknut, M5 | A200500* | 2 |
| 4 | Bracket, Clutch Rod | A200501* | 2 |
| 5 | Flat Washer, M5 | A200502* | 4 |
| 6 | Spring, Clutch Rod | A200503* | 2 |
| 7 | Clutch Cable | A200504* | 2 |
| 8 | Locknut, M6 | A200497* | 1 |
| 9 | Flat Washer, M6 | A200496* | 1 |
| 10 | Handle Mounting Bracket, Clutch Cable | A200495* | 1 |
| 11 | Hex Flange Bolt, M6x45 | A200488* | 1 |

* Part is available through higher level assembly (Kit); not stocked individually.

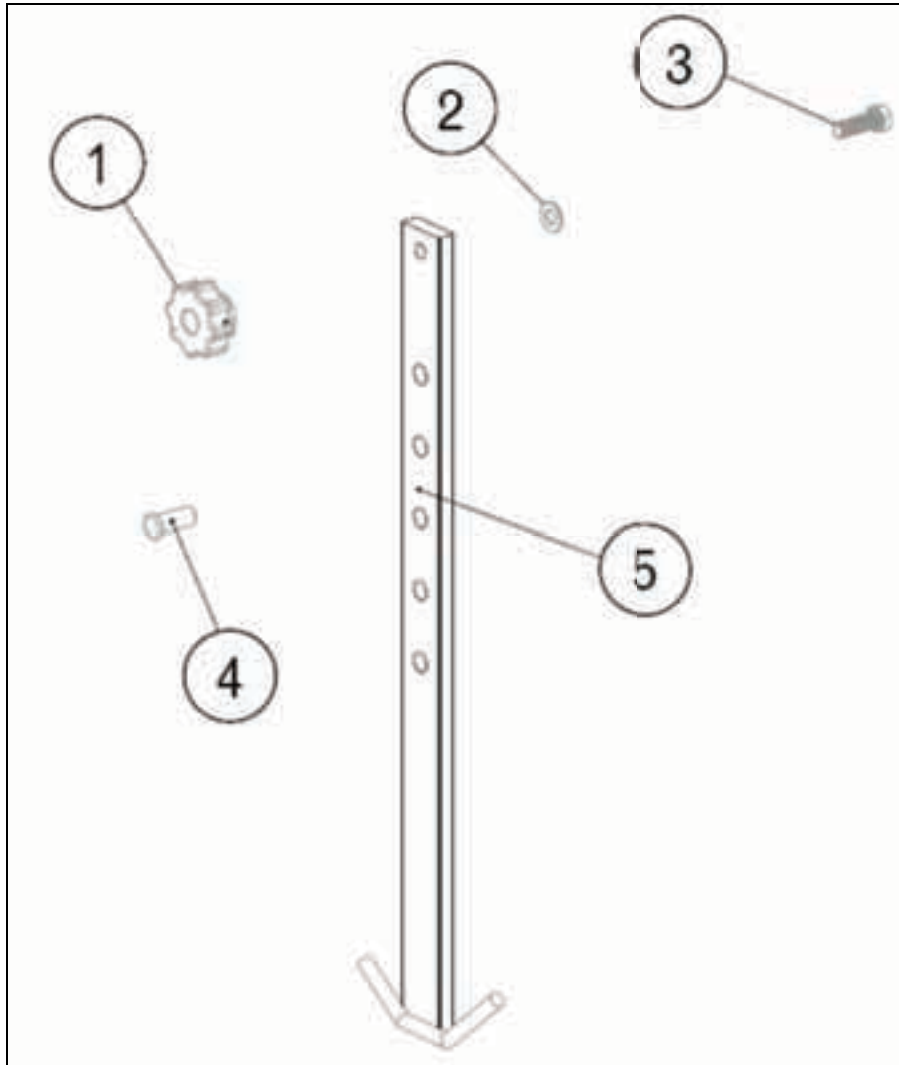
Kit, Tine Shield Assembly



| REF. NO. | DESCRIPTION | PART NO. | QTY |
|----------|-------------------------------|----------|-----|
| | Kit, Tine Shield Assembly | A200814 | 1 |
| 1 | Knob, Tine Shield | A200548* | 2 |
| 2 | Rotational Tine Shield, Right | A200566* | 1 |
| 3 | Stationary Tine Shield, Right | A200567* | 1 |
| 4 | Bolt, M6X20 | A200568* | 4 |
| 5 | Flat Washer, M6 | A200496* | 8 |
| 6 | Locknut, M6 | A200497* | 4 |
| 7 | Rotational Tine Shield, Right | A200571* | 1 |
| 8 | Rotational Tine Shield, Left | A200570* | 1 |

* Part is available through higher level assembly (Kit); not stocked individually.

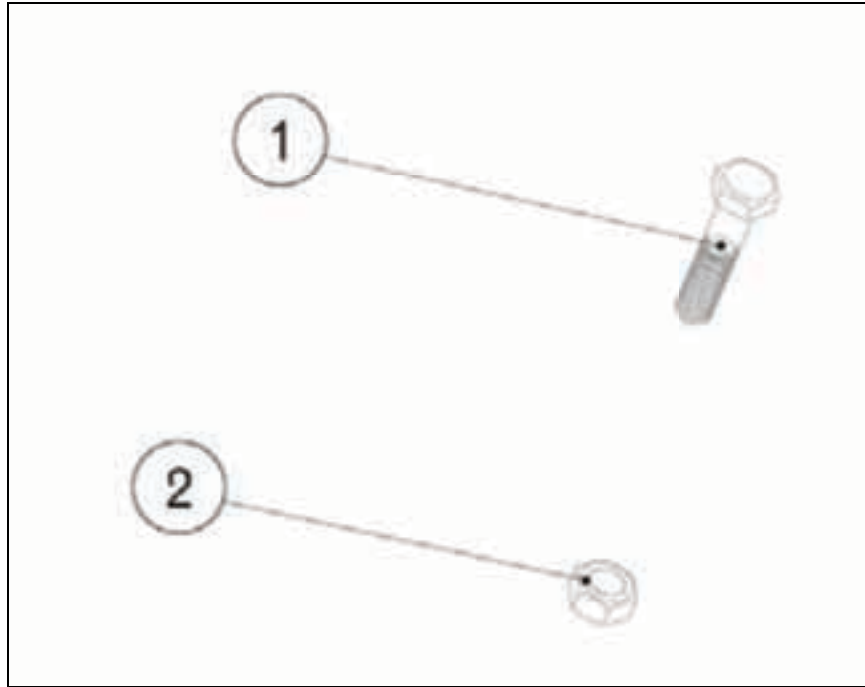
Kit, Drag Bar Assembly



| REF. NO. | DESCRIPTION | PART NO. | QTY |
|----------|------------------------|----------|-----|
| | Kit, Drag Bar Assembly | A200815 | 1 |
| 1 | Handle Knob, Drag Bar | A200575* | 1 |
| 2 | Flat washer, M8 | A200506* | 1 |
| 3 | Hex Bolt, M8X25 | A200573* | 1 |
| 4 | Pin, Drag Bar | A200577* | 1 |
| 5 | Drag Bar | A200576* | 1 |

* Part is available through higher level assembly (Kit); not stocked individually.

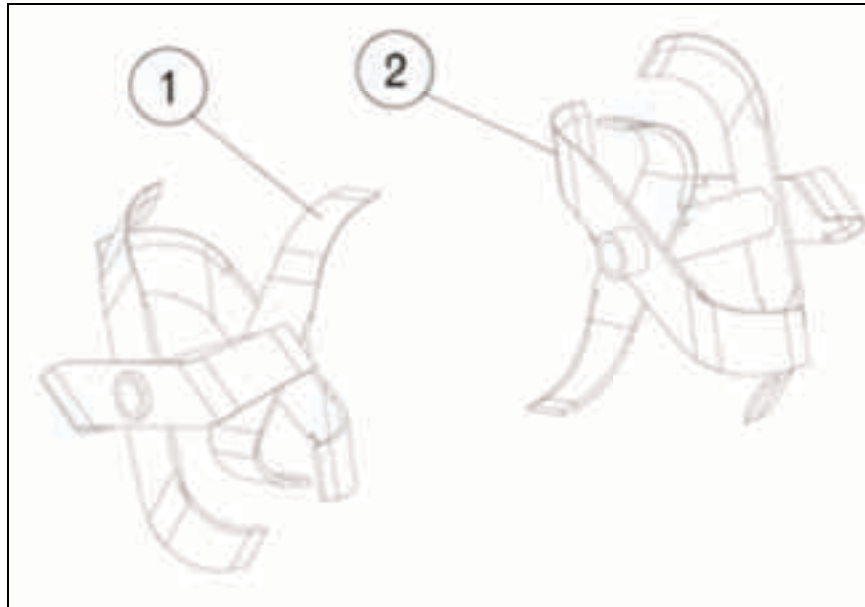
Kit, Tine Bolt Assembly



| REF. NO. | DESCRIPTION | PART NO. | QTY |
|----------|-------------------------|----------|-----|
| | Kit, Tine Bolt Assembly | A200816 | 1 |
| 1 | Bolt, M10X45 | A200578* | 1 |
| 2 | Locknut, M10 | A200562* | 1 |

* Part is available through higher level assembly (Kit); not stocked individually.

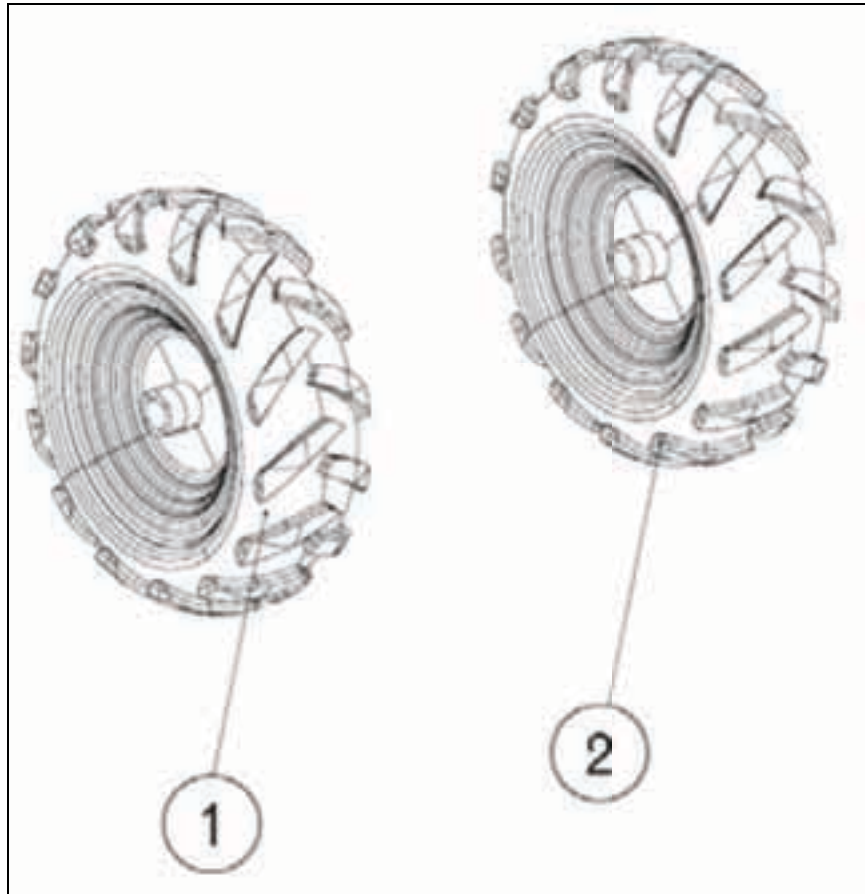
Kit, Tine Assembly



| REF. NO. | DESCRIPTION | PART NO. | QTY |
|----------|--------------------|----------|-----|
| | Kit, Tine Assembly | A200817 | 1 |
| 1 | Tines, Left | A200579* | 1 |
| 2 | Tines, Right | A200580* | 1 |

* Part is available through higher level assembly (Kit); not stocked individually.

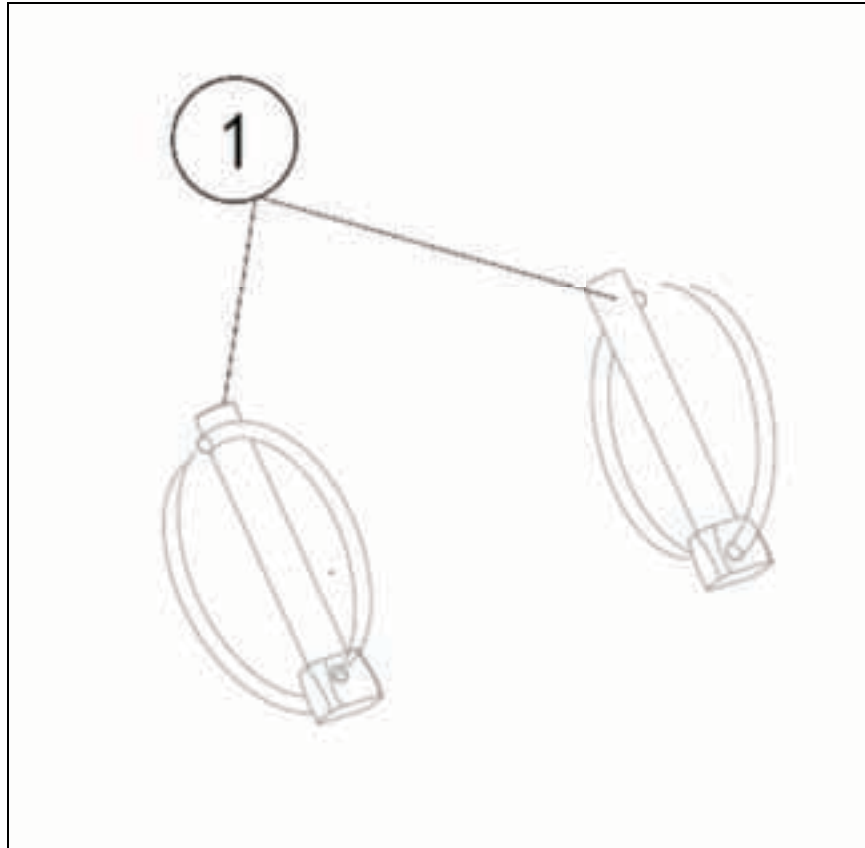
Kit, Wheel Assembly



| REF. NO. | DESCRIPTION | PART NO. | QTY |
|----------|---------------------|----------|-----|
| | Kit, Wheel Assembly | A200818 | 1 |
| 1 | Left Wheel Only | A200597* | 1 |
| 2 | Right Wheel Only | A200809* | 1 |

* Part is available through higher level assembly (Kit); not stocked individually.

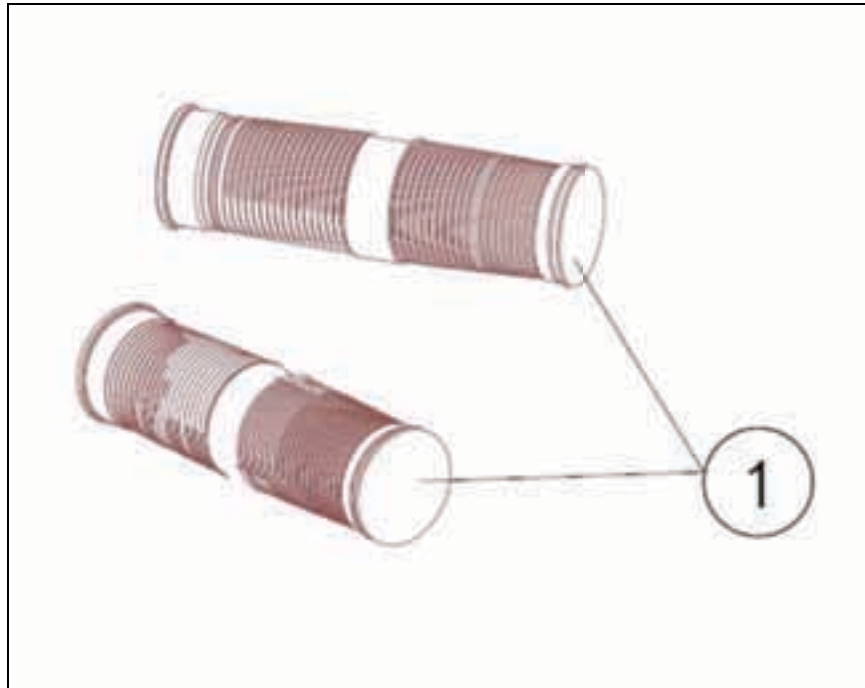
Kit, Lock Pin Assembly



| REF. NO. | DESCRIPTION | PART NO. | QTY |
|----------|------------------------|----------|-----|
| | Kit, Lock Pin Assembly | A200932 | 1 |
| 1 | Lock Pin | A200596* | 2 |

* Part is available through higher level assembly (Kit); not stocked individually.

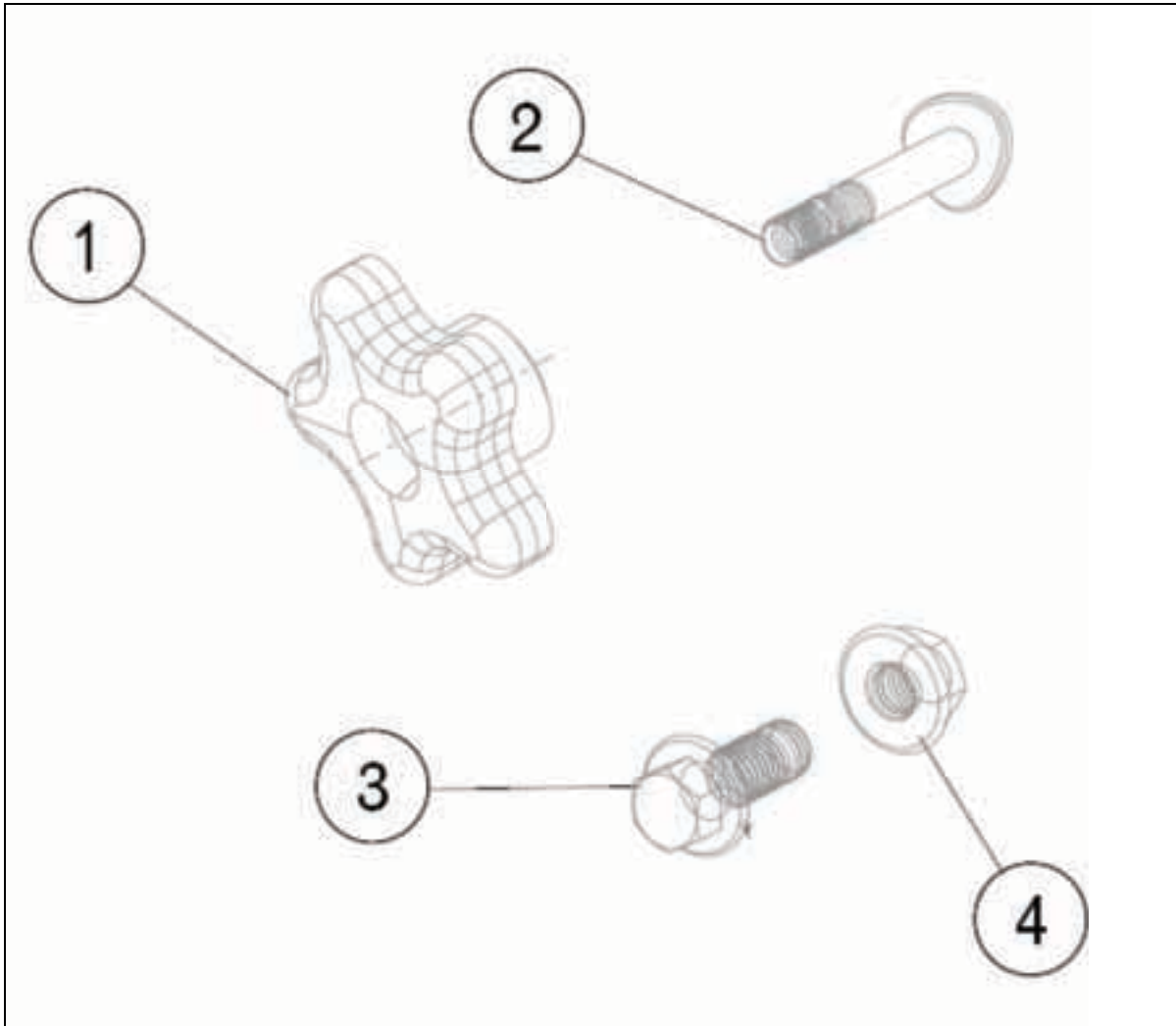
Kit, Grip Assembly



| REF. NO. | DESCRIPTION | PART NO. | QTY |
|----------|--------------------|----------|-----|
| | Kit, Grip Assembly | A200933 | 1 |
| 1 | Handle Grip | A200493* | 2 |

* Part is available through higher level assembly (Kit); not stocked individually.

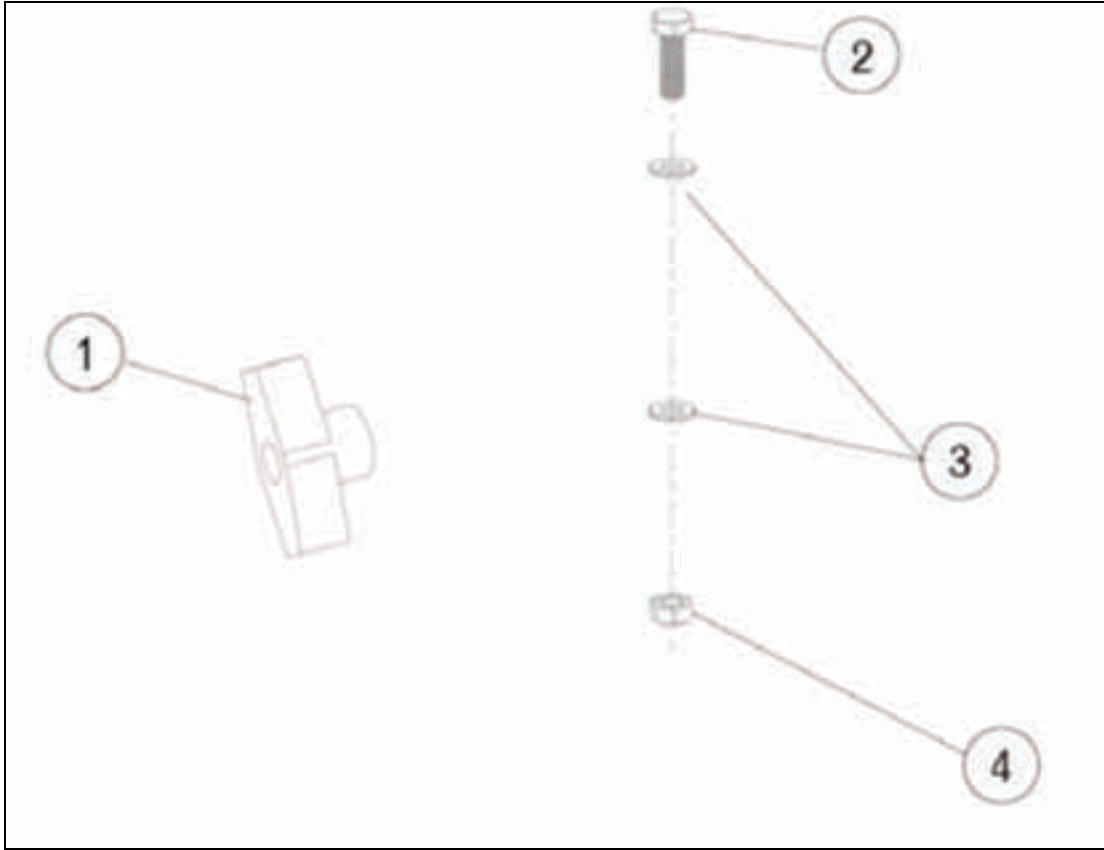
Kit, Handle Bar Hardware Assembly



| REF. NO. | DESCRIPTION | PART NO. | QTY |
|----------|-----------------------------------|----------|-----|
| | Kit, Handle Bar Hardware Assembly | A200934 | 1 |
| 1 | Handle Bar Knob | A200486* | 4 |
| 2 | Handle Bar Screw | A200487* | 4 |
| 3 | Hex Flange Bolt, M10x2 | A200539* | 4 |
| 4 | Hex Flange Nut, M10 | A200540* | 2 |

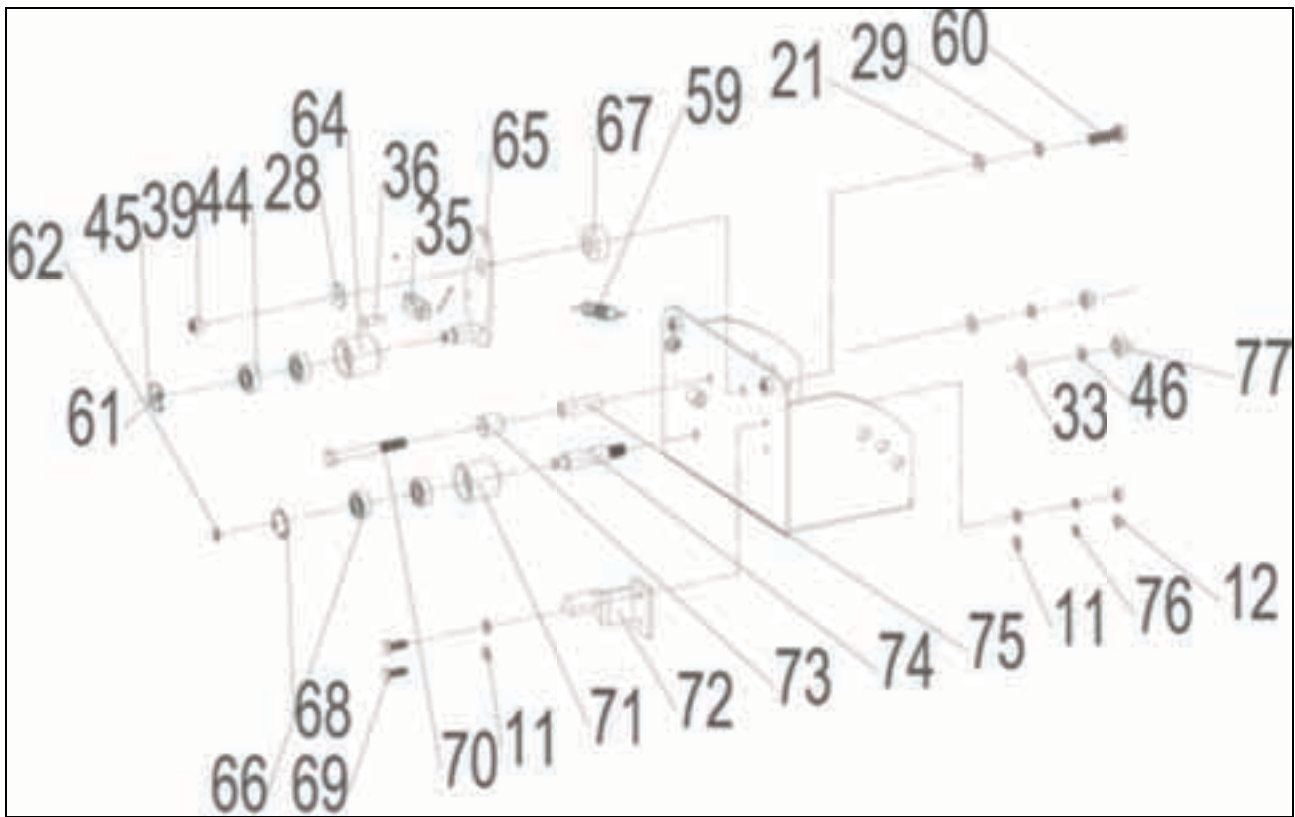
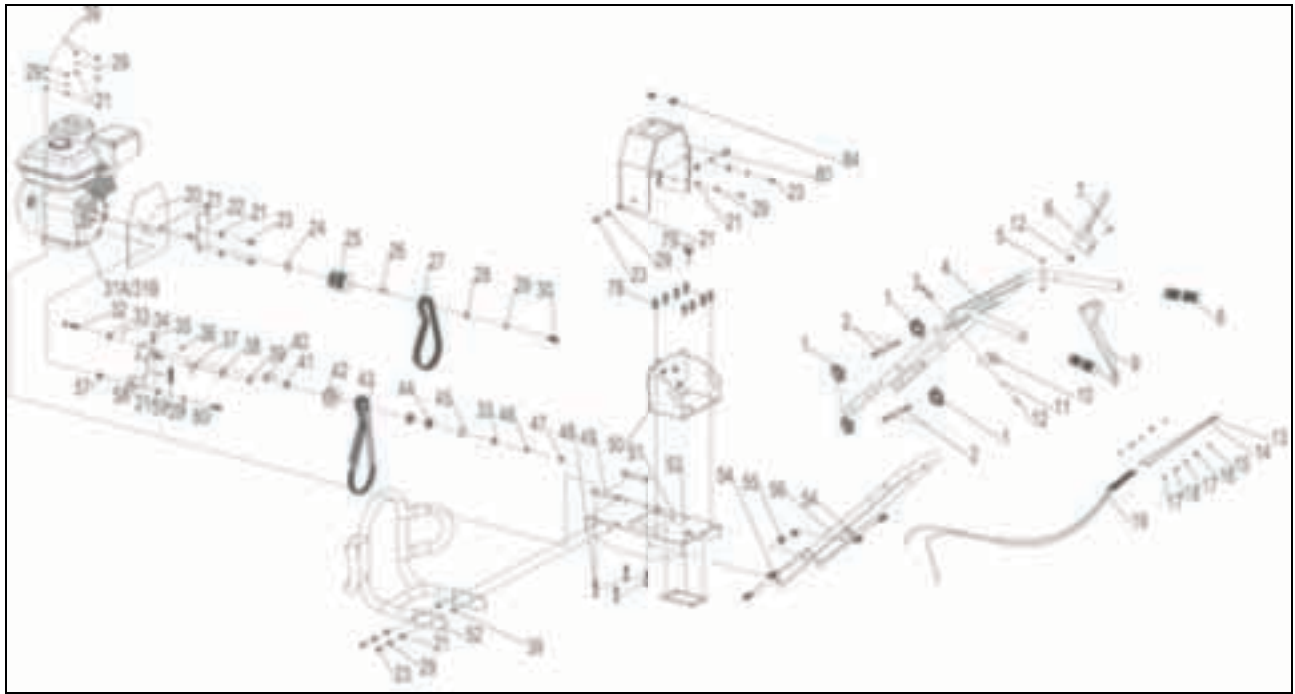
* Part is available through higher level assembly (Kit); not stocked individually.

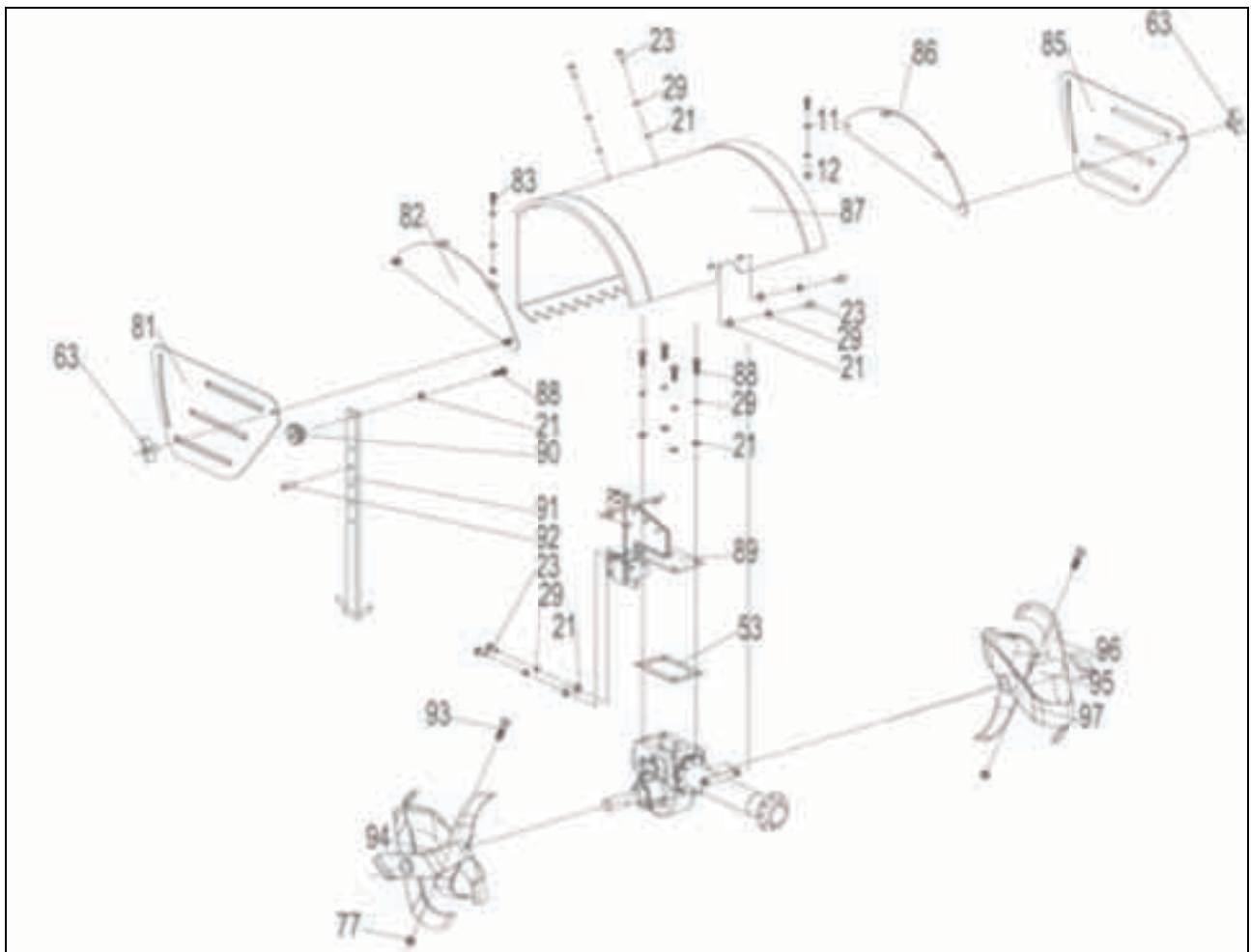
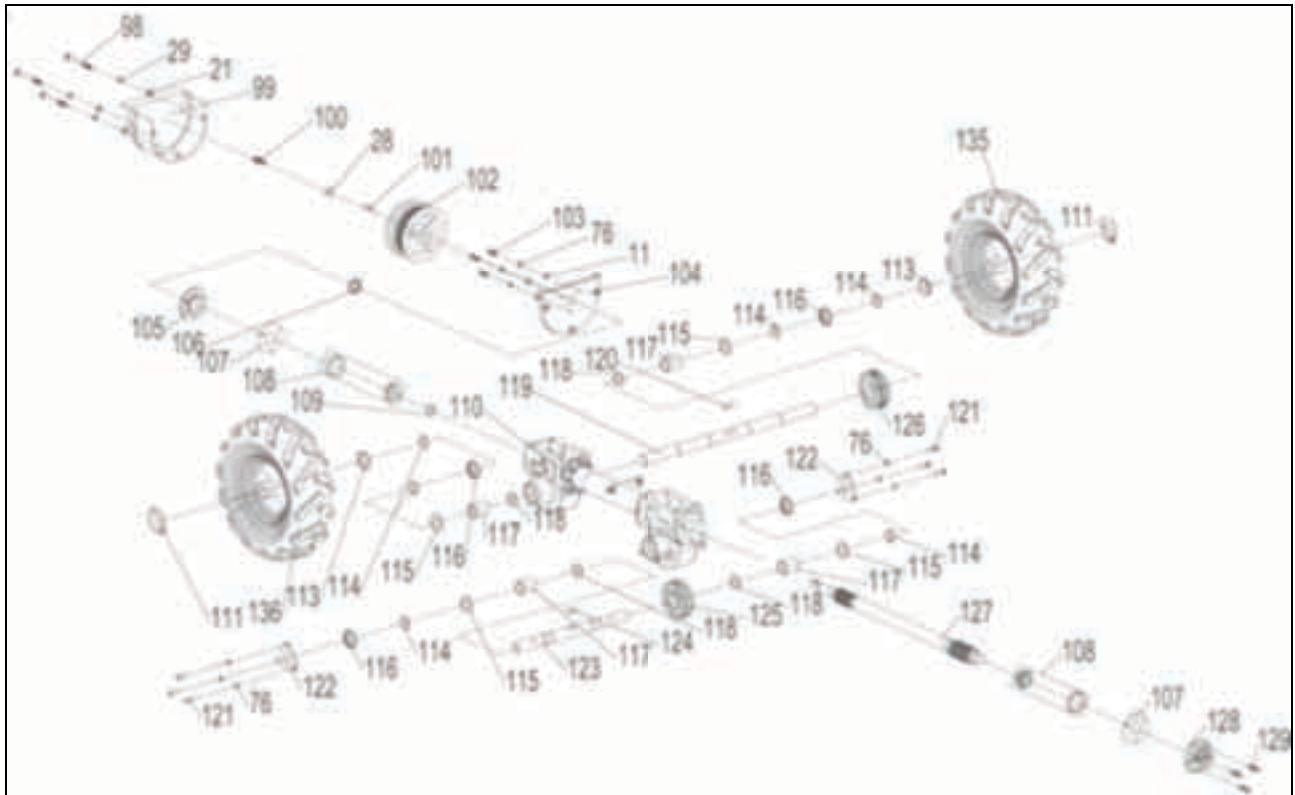
Kit, Mounting Hardware Assembly, Tine Shield



| REF. NO. | DESCRIPTION | PART NO. | QTY |
|----------|--|----------|-----|
| | Kit, Mounting Hardware Assembly, Tine Shield | A200952 | 1 |
| 1 | Knob, Tine Shield | A200548* | 2 |
| 2 | Bolt, M6X20 | A200568* | 4 |
| 3 | Flat Washer, M6 | A200496* | 8 |
| 4 | Locknut, M6 | A200497* | 4 |

* Part is available through higher level assembly (Kit); not stocked individually.





| REF. NO. | DESCRIPTION | PART NO. | QTY |
|----------|--|----------|-----|
| 1 | Handle Bar Knob | A200486* | 4 |
| 2 | Handle Bar Screw | A200487* | 4 |
| 3 | Hex Flange Bolt, M6x45 | A200488* | 1 |
| 4 | Upper Handle | A200489* | 1 |
| 5 | Rubber bushing, Clutch Lever | A200490* | 2 |
| 6 | Clutch Lever, Forward | A200491* | 1 |
| 7 | Bolt, M6X55 | A200492* | 1 |
| 8 | Handle Grip | A200493* | 2 |
| 9 | Clutch Lever, Reverse | A200494* | 1 |
| 10 | Handle Mounting Bracket, Clutch Cable | A200495* | 1 |
| 11 | Flat Washer, M6 | A200496* | 14 |
| 12 | Locknut, M6 | A200497* | 7 |
| 13 | Clutch Rod, Reverse | A200498* | 1 |
| 14 | Clutch Rod, Forward | A200499* | 1 |
| 15 | Locknut, M5 | A200500* | 2 |
| 16 | Bracket, Clutch Rod | A200501* | 2 |
| 17 | Flat Washer, M5 | A200502* | 4 |
| 18 | Spring, Clutch Rod | A200503* | 2 |
| 19 | Clutch Cable | A200504* | 2 |
| 20 | Mounting plate, Belt Cover | A200505* | 1 |
| 21 | Flat washer, M8* | A200506* | 29 |
| 22 | Belt Mounting Plate, Reverse cable | A200507* | 1 |
| 23 | Bolt, M8X20 | A200508* | 13 |
| 24 | Shaft Bushing, Forward Pulley | A200509* | 1 |
| 25 | Forward Drive Pulley | A200510 | 1 |
| 26 | Flat Key, 4.78X5X35 | A200511* | 1 |
| 27 | Forward Drive Belt 7PK597 | A200512 | 1 |
| 28 | Flat Washer, M8X22X2 | A200513* | 4 |
| 29 | Spring washer, M8 | A200514* | 27 |
| 30 | Hex Bolt, 5/16-24 | A200515* | 1 |
| 31A | EPA Gasoline Engine, Loncin 196cc Horizontal | A200516 | 1 |
| 31B | CARB Gasoline Engine, Loncin 196cc Horizontal | A200618 | 1 |
| 32 | Hex Bolt, M10X50 | A200517* | 1 |
| 33 | Flat Washer, M10 | A200518* | 4 |
| 34 | Pin ϕ 1.5X20 | A200519* | 2 |
| 35 | Cable Clip | A200520* | 2 |
| 36 | Pin ϕ 6X16 | A200521* | 2 |
| 37 | Shaft Bushing 1 | A200522* | 1 |
| 38 | Flat Washer ϕ 8X ϕ 28X3 | A200523* | 1 |

| | | | |
|----|-------------------------------------|----------|---|
| 39 | Hex Nut, M8 | A200524* | 9 |
| 40 | Top Belt Guide, Reverse Belt | A200525* | 1 |
| 41 | Bushing, Reverse Tensioner | A200526* | 1 |
| 42 | Pulley, Reverse Tensioner | A200527 | 1 |
| 43 | Reverse Drive Belt, 5PK740 | A200528 | 1 |
| 44 | Ball Bearing 6200 | A200529 | 4 |
| 45 | Circlip 30 | A200530 | 1 |
| 46 | Spring Washer, M10 | A200531* | 4 |
| 47 | Hex Nut, M10 | A200532* | 1 |
| 48 | Hex Bolt, M8X45 | A200533* | 4 |
| 49 | Spacer, Engine Mounting | A200534* | 1 |
| 50 | Handle Mounting Frame | A200535* | 1 |
| 51 | Engine Mounting Frame | A200536* | 1 |
| 52 | Bull Bar Handle | A200537* | 1 |
| 53 | Gasket, Transmission | A200538* | 2 |
| 54 | Hex Flange Bolt, M10x25 | A200539* | 4 |
| 55 | Hex Flange Nut, M10 | A200540* | 2 |
| 56 | Lower Handle | A200541* | 1 |
| 57 | Shaft Bushing, Reverse | A200542* | 1 |
| 58 | Mounting Bracket, Reverse Tensioner | A200543* | 1 |
| 59 | Spring, Reverse | A200544 | 2 |
| 60 | Hex Bolt, M8X30 | A200545* | 2 |
| 61 | Circlip 10 | A200546* | 1 |
| 62 | Circlip 8 | A200547* | 1 |
| 63 | Knob, Tine Shield | A200548* | 4 |
| 64 | Pulley, Forward Tensioner | A200549* | 1 |
| 65 | Clutch Arm | A200550* | 1 |
| 66 | Ball Bearing 628 | A200551* | 2 |
| 67 | Shaft Bushing, Tensioner | A200552* | 1 |
| 68 | Circlip 24 | A200553* | 1 |
| 69 | Hex Bolt, M6X16 | A200554* | 2 |
| 70 | Hex Bolt, M8X70 | A200555* | 1 |
| 71 | Tensioner, Forward | A200556 | 1 |
| 72 | Belt Guide, Reverse Belt | A200557* | 1 |
| 73 | Bushing 2 | A200558* | 1 |
| 74 | Shaft, Forward Tensioner | A200559* | 1 |
| 75 | Bushing 3 | A200560* | 1 |
| 76 | Spring Washer, M6 | A200561* | 5 |
| 77 | Locknut, M10 | A200562* | 3 |
| 78 | Hex Flange Bolt, M8x25 | A200563* | 8 |
| 79 | Transmission Oil Dipstick | A200564* | 1 |
| 80 | Belt Cover | A200565* | 1 |
| 81 | Rotational Tine Shield, Right | A200566* | 1 |

| | | | |
|-----|--|----------|---|
| 82 | Stationary Tine Shield, Right | A200567* | 1 |
| 83 | Bolt, M6X20 | A200568* | 4 |
| 84 | Rubber Bushing, Belt Cover | A200569* | 2 |
| 85 | Rotational Tine Shield, Left | A200570* | 1 |
| 86 | Rotational Tine Shield, Right | A200571* | 1 |
| 87 | Main Tine Shield | A200572* | 1 |
| 88 | Hex Bolt, M8X25 | A200573* | 5 |
| 89 | Mounting Frame, Drag Bar | A200574* | 1 |
| 90 | Handle Knob, Drag Bar | A200575* | 1 |
| 91 | Drag Bar | A200576* | 1 |
| 92 | Pin, Drag Bar | A200577* | 1 |
| 93 | Bolt, M10X45 | A200578* | 2 |
| 94 | Tines, Left | A200579* | 1 |
| 95 | Tines, Right | A200580* | 1 |
| 96 | Tines Blade, Right | A200581* | 4 |
| 97 | Tines Blade, Left | A200582* | 4 |
| 98 | Hex Bolt, M8X90 | A200583* | 3 |
| 99 | Belt Cover, Lower Front | A200584* | 1 |
| 100 | Hex Flange Bolt, M8x20 | A200585* | 2 |
| 101 | Flat Key 5X5X25 | A200586* | 1 |
| 102 | Transmission Pulley | A200587* | 1 |
| 103 | Socket Hex bolt, M8X90 | A200588* | 3 |
| 104 | Belt Cover, Lower Rear | A200589* | 1 |
| 105 | Transmission Cover, Front | A200590* | 1 |
| 106 | Transmission Oil Seal ϕ 20X ϕ 32X6 | A200591* | 1 |
| 107 | Gasket 1, Transmission | A200592* | 2 |
| 108 | Cone Needle bearing 7204E | A200593* | 2 |
| 109 | Washer, Transmission | A200594* | 1 |
| 110 | Gear Box Housing | A200595* | 1 |
| 111 | Lock Pin, Wheel | A200596* | 2 |
| 113 | Shaft Spacer, Wheel | A200598* | 2 |
| 114 | Circlip 25 | A200599* | 6 |
| 115 | Washer, Tine Shaft | A200600* | 4 |
| 116 | Transmission Oil Seal ϕ 25X ϕ 40X7 | A200601* | 4 |
| 117 | Bearing, Wheel Shaft | A200602* | 4 |
| 118 | Adjustable Spacer, Wheel Shaft | A200603* | 4 |
| 119 | Wheel Shaft | A200604* | 1 |
| 120 | Flat Key | A200605* | 1 |
| 121 | Hex Bolt, M6X20 | A200606* | 6 |
| 122 | Seal Cap, Transmission | A200607* | 2 |
| 123 | Tine Shaft | A200608* | 1 |
| 124 | Key, Tine Shaft | A200609* | 1 |
| 125 | Worm Gear, Tine Shaft | A200610* | 1 |
| 126 | Worm Gear, Wheel Shaft | A200611* | 1 |

| | | | |
|-----|--------------------------|----------|---|
| 127 | Worm Wheel Shaft | A200612* | 1 |
| 128 | Rear Cover, Transmission | A200613* | 1 |
| 129 | Hex Bolt, M6X25 | A200614* | 3 |
| 135 | Wheel, 13 inch, Right | A200809* | 1 |
| 136 | Wheel, 13 inch, Left | A200597* | 1 |

* Part is available through higher level assembly (Kit); not stocked individually.