



## ILLUSTRATED PARTS BOOK

Front Tine Tiller

MODEL#: P-FTT-160MD-[E], P-FTT-160MD

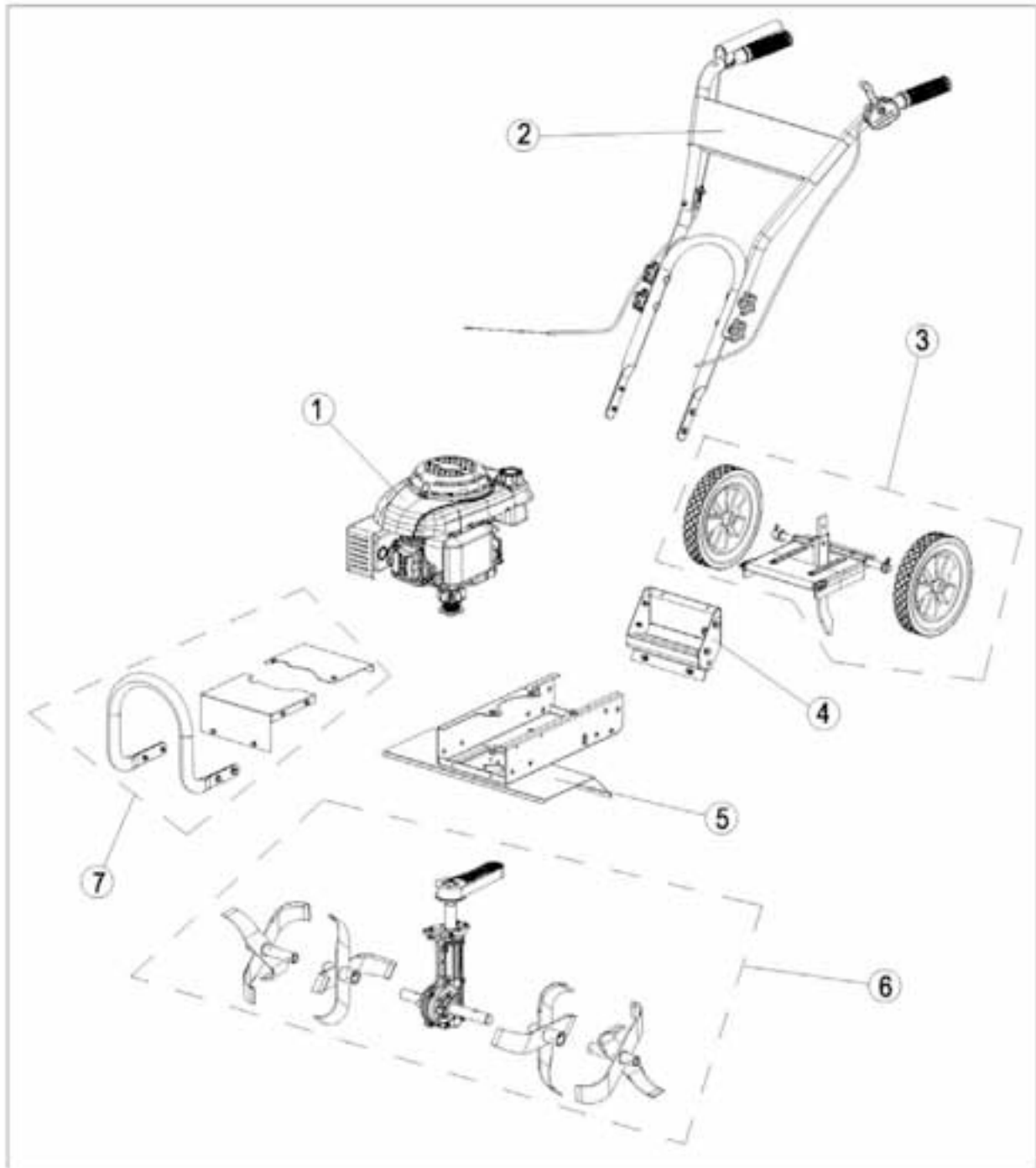




## Table of Contents

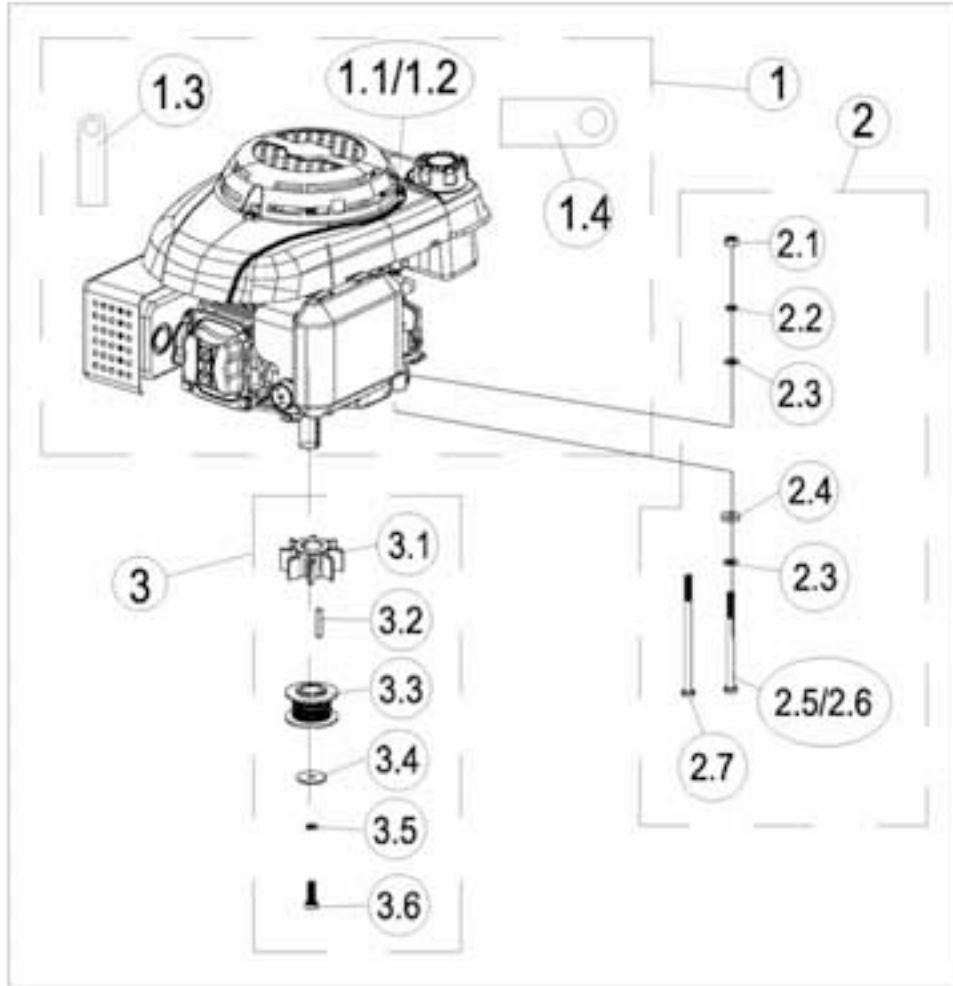
Top Level Assembly.....	4
Engine – Top Level Assembly.....	5
Handle Assembly.....	6
Swing Plate Assembly.....	8
Swing Plate Mount Assembly.....	9
Base Assembly.....	10
Tine and Transmission Assembly.....	12
Carry Handle and Inspection Plates.....	14

## Top Level Assembly



REF. NO.	DESCRIPTION	PART NO.	QTY
1	Engine-Top Level Assembly	See Page 5	1
2	Handle Assembly	See Page 6	1
3	Swing Plate Assembly	See Page 8	1
4	Swing Plate Mount Assembly	See Page 9	1
5	Base Assembly	See Page 10	1
6	Tines & Transmission Assembly	See Page 12	1
7	Carry Handle & Inspection Plates	See Page 14	1

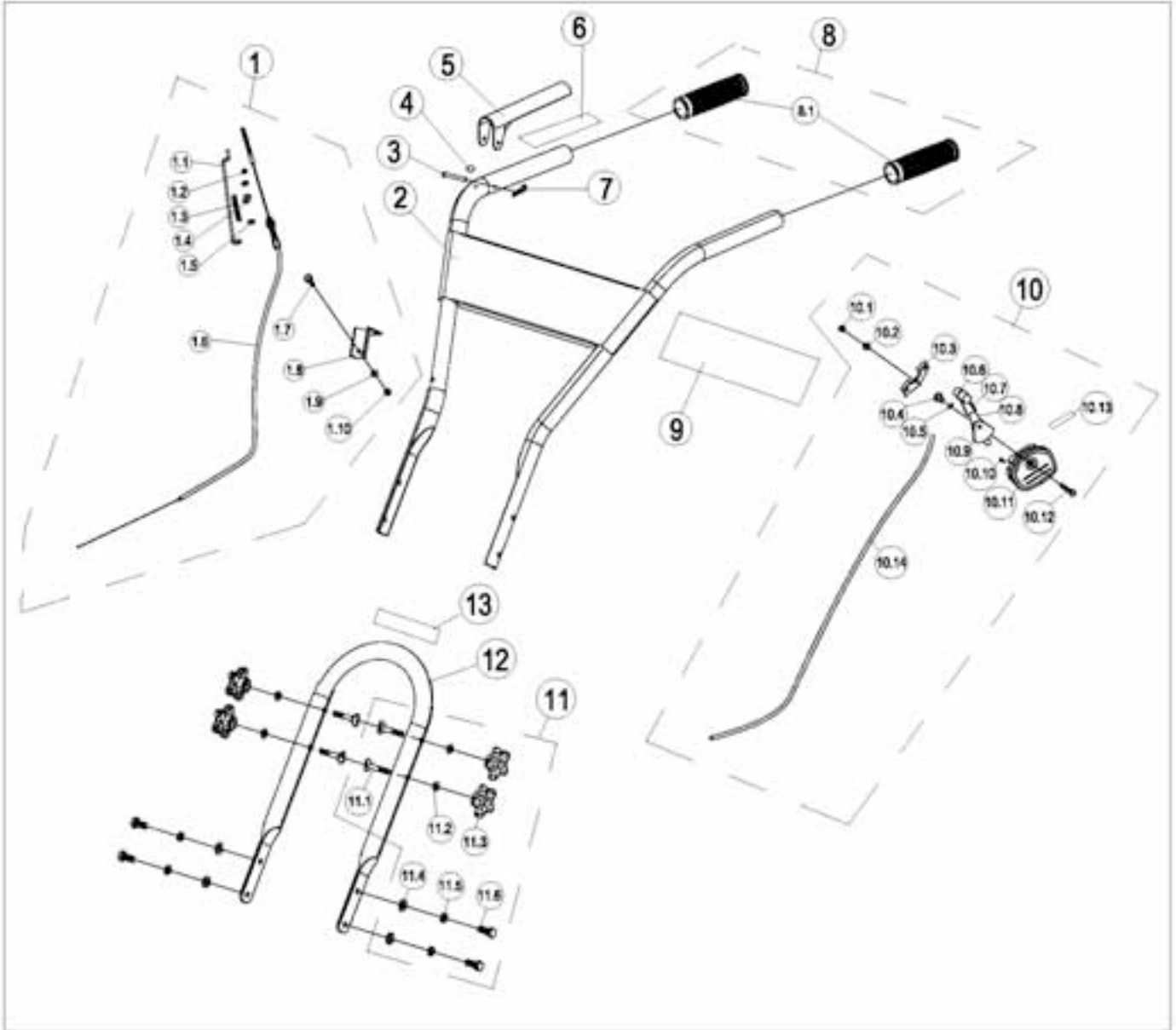
# Engine – Top Level Assembly



REF. NO.	DESCRIPTION	PART NO.	QTY
1	Engine Sub-Assembly	---	1
1.1	Engine, Loncin 159cc Vertical	A200713	1
1.2	Engine, Kohler (Carb) 173cc Vertical	A200622	1
1.3	Oil Hang Tag - Oil Dipstick	A100979*	1
1.4	Oil Hang Tag - Fuel Tank	A101015*	1
2	Kit, Engine Mounting Bolt	A200823	1
2.1	Nut, M8	A200524*	3
2.2	Spring Washer, M8	A200514*	3
2.3	Flat Washer, M8	A200506*	6
2.4	Spacer, Engine Mounting	A200664*	3
2.5	Bolt, M8x130	A200655*	1
2.6	Bolt, M10x130 (Carb Engine)	A200812*	1
2.7	Bolt, M8x150	A200656*	2
3	Kit, Drive Pulley	A200821	1
3.1	Fan, Pulley	A200714	1
3.2	Key, Engine	A200715*	1
3.3	Engine Pulley	A200716	1
3.4	Spacer, 10x32x4	A200717*	1
3.5	Spring Washer, M10	A200531*	1
3.6	Bolt, 3/8-24	A200718*	1

\* Part is available through higher level assembly; not stocked individually

# Handle Assembly

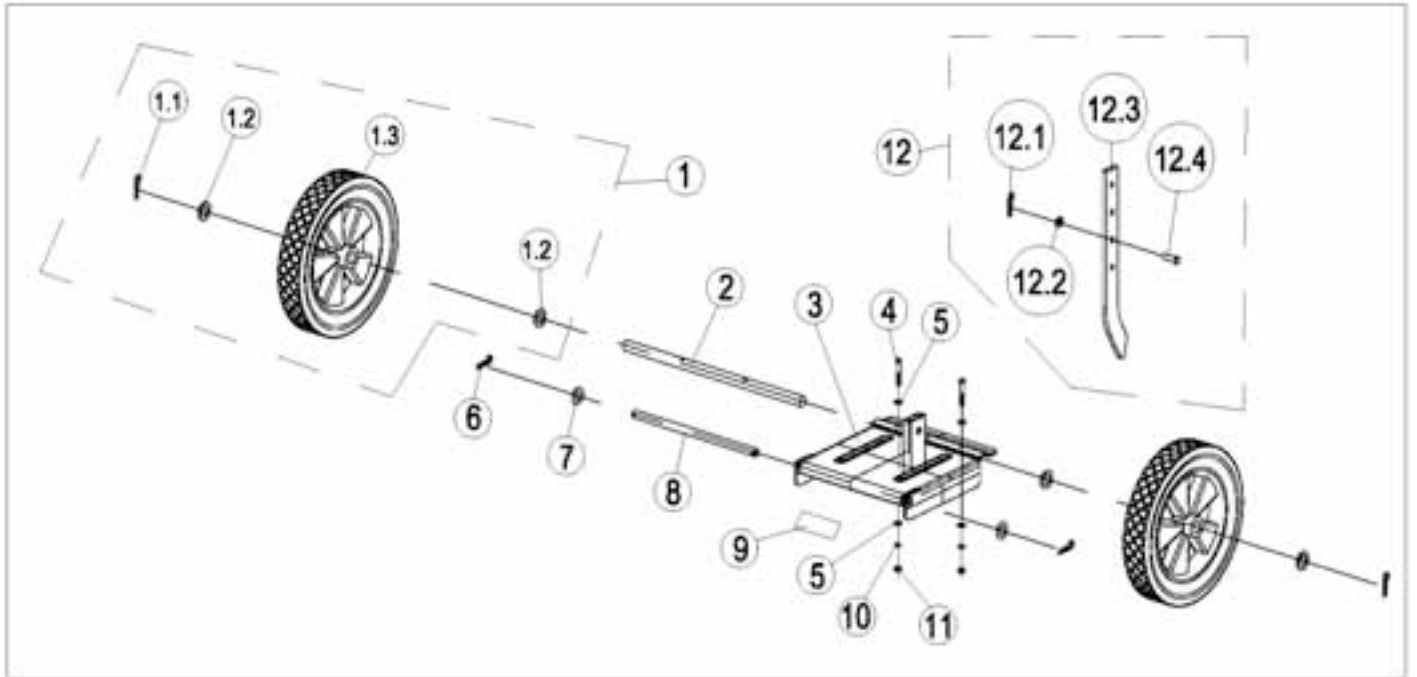


## Handle Assembly

REF. NO.	DESCRIPTION	PART NO.	QTY
1	Kit, Clutch Cable Control	A200819	1
1.1	Rod, Clutch	A200701*	1
1.2	Locknut, M5	A200500*	1
1.3	Spring, Clutch Cable	A200503*	1
1.4	Bracket, Clutch Rod	A200501*	1
1.5	Flat Washer, M5	A200502*	2
1.6	Clutch Cable	A200707*	1
1.7	Bolt, M6x45	A200488*	1
1.8	Handle Bracket, Clutch Cable	A200495*	1
1.9	Flat Washer, M6	A200496*	1
1.10	Lock Nut, M6	A200497*	1
2	Upper Handle	A200710	1
3	Pin, 6x40	A200700	1
4	Rubber Spacer, Clutch Lever	A200490	1
5	Clutch Lever	A200698	1
6	Decal, Clutch Control	A200947	1
7	Cotter Key, 2x37	A200671	1
8	Kit, Handle Grip	A200831	1
8.1	Grip, Handle	A200709*	2
9	Decal, Brand Label - Powermate	A200943	1
10	Kit, Throttle Control	A200830	1
10.1	Lock Nut, M6	A200497*	1
10.2	Flat Washer, M6	A200496*	1
10.3	Bracket, Throttle	A200668*	1
10.4	Rivet Stud	A200727*	1
10.5	Wave Washer, M8	A200726*	1
10.6	Grip, Throttle Lever	A200725*	1
10.7	Lever, Throttle	A200724*	1
10.8	Bracket, Throttle	A200723*	1
10.9	Mounting Bracket, Throttle Lever	A200722*	1
10.10	Bolt, Thread Forming 3x30	A200721*	2
10.11	Throttle Control	A200720*	1
10.12	Bolt, M6x70	A200719*	1
10.13	Decal, Throttle Control	A200946*	1
10.14	Cable, Throttle	A200711*	1
11	Kit, Handle Bolt Mounting	A200820	1
11.1	Bolt, Handle	A200487*	4
11.2	Flat Washer, M8	A200506*	4
11.3	Knob, Handle	A200486*	4
11.4	Flat Washer, M10	A200518*	4
11.5	Spring Washer, M0	A200531*	4
11.6	Bolt, M10x25	A200539*	4
12	Handle, Lower	A200695	1
13	Decal, Lower Handle	A200945	1

\* Part is available through higher level assembly; not stocked individually

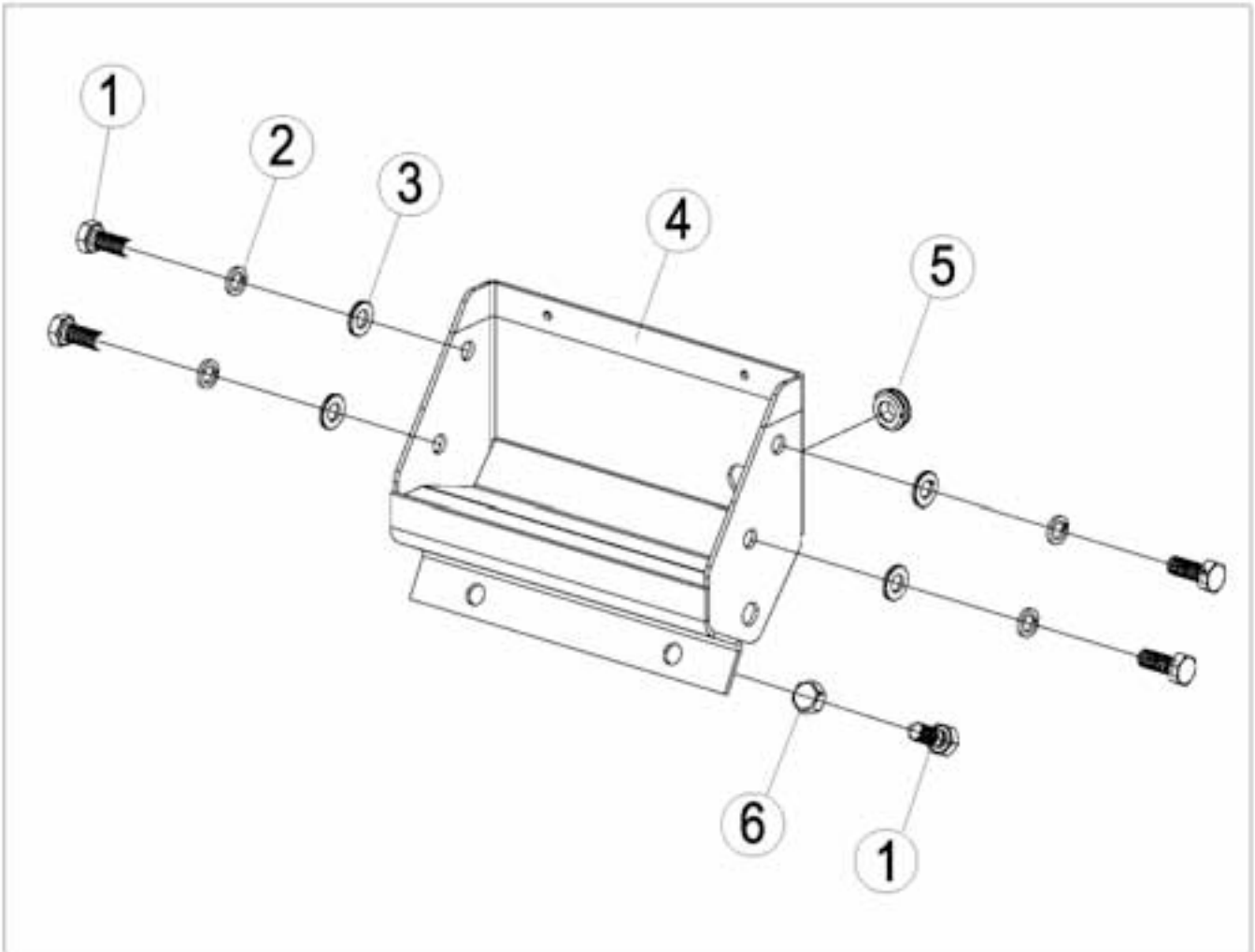
# Swing Plate Assembly



REF. NO.	DESCRIPTION	PART NO.	QTY
1	Kit, Wheel	A200824	1
1.1	Cotter Key, 2x37	A200671*	1
1.2	Flat Washer, M14	A200688*	2
1.3	Wheel, 10 Inch	A200694*	1
2	Axle, Wheel	A200690	1
3	Swing Plate	A200692	1
4	Bolt, M8x30	A200545	2
5	Flat Washer, M8	A200506	4
6	Cotter Key, 2x37	A200671	3
7	Flat Washer, M12	A200689	2
8	Axle, Swing Plate	A200691	1
9	Decal, Pinch Point	A200942	1
10	Spring Washer, M8	A200514	2
11	Lock Nut, M8	A200524	2
12	Kit, Drag Bar	A200825	1
12.1	Cotter Key, 2x37	A200671*	1
12.2	Flat Washer, M8	A200506*	1
12.3	Drag Bar	A200672*	1
12.4	Pin, 8x23	A200673*	1

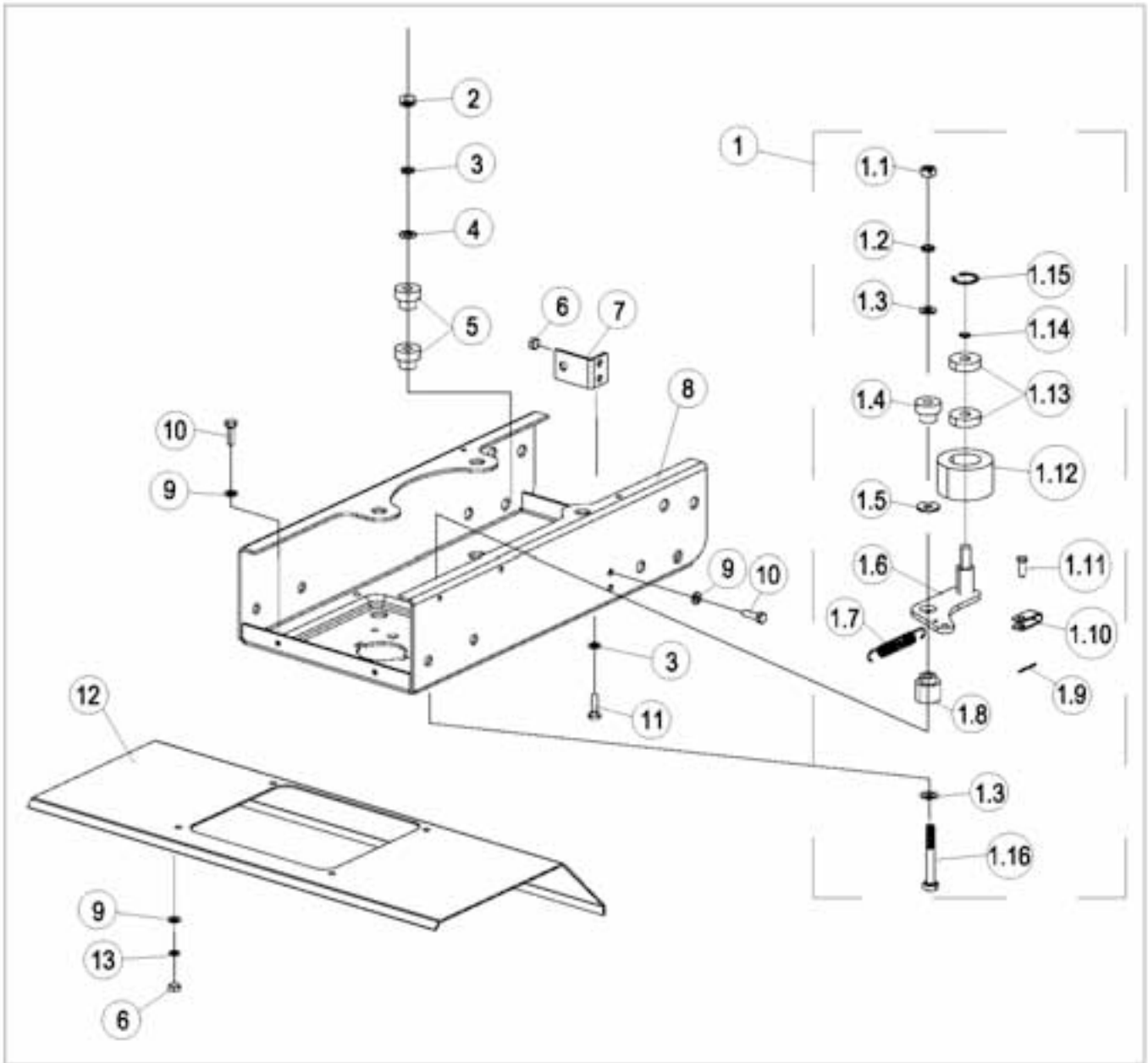
\* Part is available through higher level assembly; not stocked individually

## Swing Plate Mount Assembly



REF. NO.	DESCRIPTION	PART NO.	QTY
1	Bolt, M10x25	A200539	6
2	Spring Washer, M10	A200531	4
3	Flat Washer, M10	A200518	4
4	Swing Plate Mounting Frame	A200667	1
5	Grommet	A200569	1
6	Nut, M10	A200532	2

# Base Assembly

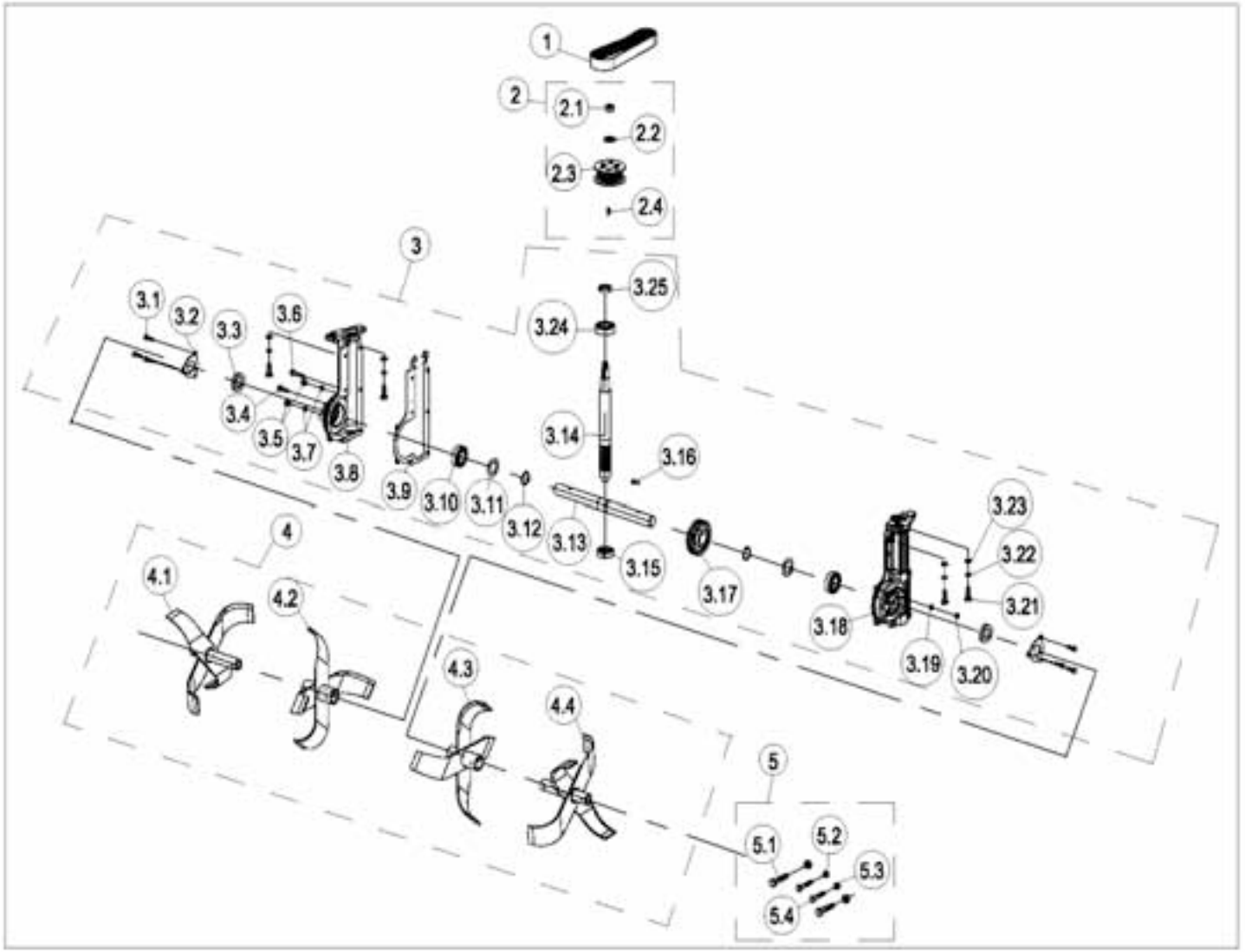


## Base Assembly

REF. NO.	DESCRIPTION	PART NO.	QTY
1	Kit, Tension Idler	A200826	1
1.1	Lock Nut, M8	A200524*	1
1.2	Spring Washer, M8	A200514	1
1.3	Flat Washer, M8	A200506	2
1.4	Bushing, Belt	A200658*	1
1.5	Flat Washer, 8x22x2	A200513*	1
1.6	Tensioner Arm	A200675*	1
1.7	Spring, Clutch	A200676	1
1.8	Bushing, Tensioner Arm	A200677*	1
1.9	Cotter Key, 1.5x20	A200678*	1
1.10	Clip, Clutch Cable	A200520*	1
1.11	Pin, 6x16	A200521*	1
1.12	Tensioner	A200681*	1
1.13	6200 Ball Bearing	A200682*	2
1.14	Circlip, 10	A200546*	1
1.15	Circlip, 30	A200530*	1
1.16	Bolt, M8x60	A200625*	1
2	Lock Nut, M8	A200524	1
3	Spring Washer, M8	A200514	2
4	Flat Washer, M8	A200506	1
5	Bushing, Belt	A200658	2
6	Locknut, M6	A200497	2
7	Bracket, Clutch Cable	A200665	1
8	Mounting Frame	A200653	1
9	Flat Washer, M6	A200496	10
10	Bolt, M6x18	A200654	6
11	Bolt, M8x50	A200652	1
12	Tine Shield	A200649	1
13	Spring Washer, M6	A200651	4

\* Part is available through higher level assembly; not stocked individually

# Tine and Transmission Assembly

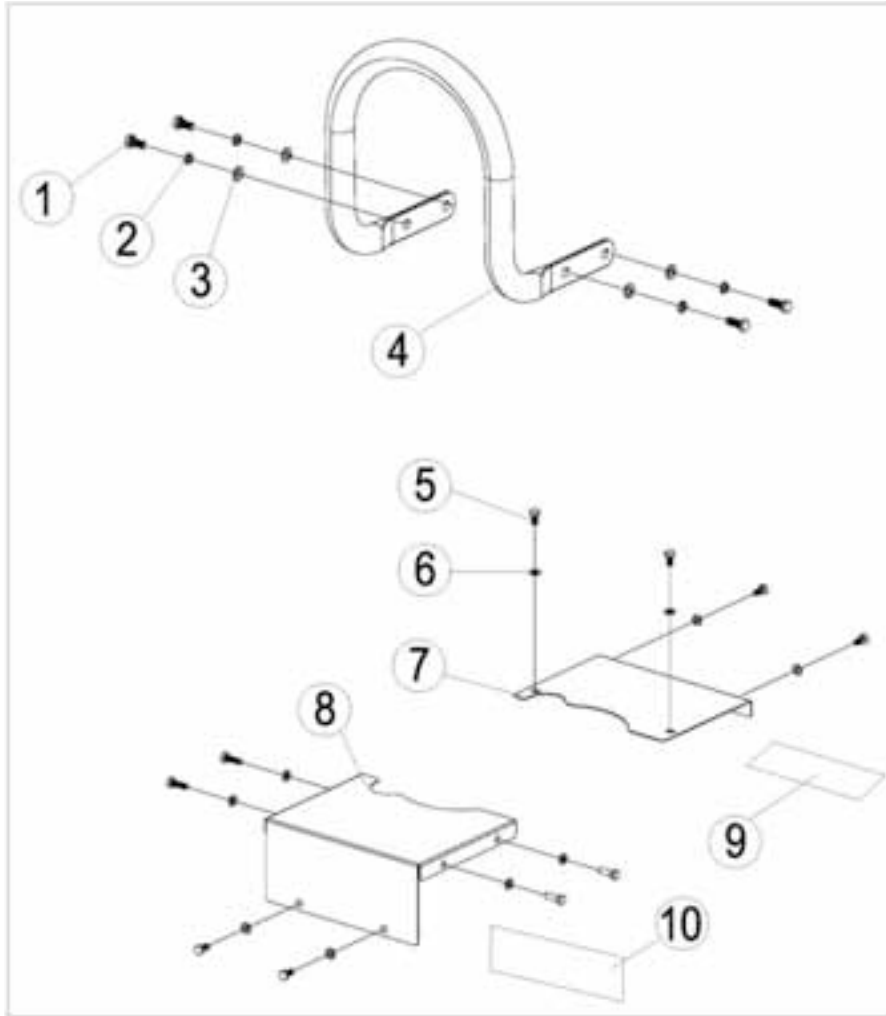


## Tine and Transmission Assembly

REF. NO.	DESCRIPTION	PART NO.	QTY
1	Drive Belt, 10PJ508	A200659	1
2	Kit, Transmission Pulley	A200822	1
2.1	Lock Nut, M12	A200660*	1
2.2	Flat Washer, 12x28x3	A200661*	1
2.3	Pulley, Transmission	A200662*	1
2.4	Key, 4x6.5x16	A200663*	1
3	Kit, Transmission Assembly	A200829	1
3.1	Hex Bolt, M6x12	A200619*	6
3.2	Gear Box Seal Cover	A200620*	2
3.3	Transmission Seal 25x40x7	A200621*	2
3.4	Hex Flange Bolt, M6x25	A200614*	4
3.5	Hex Flange Bolt, M10x14	A200623*	2
3.6	Hex Flange Bolt, M6x35	A200624*	4
3.7	Flat Washer, M10	A200518*	2
3.8	Housing, Left Gear Box	A200626*	1
3.9	Gear Box Gasket	A200627*	1
3.10	Ball Bearing 6005, Gear Box	A200628*	2
3.11	Washer, Gear Box	A200629*	2
3.12	Circlip, 25	A200599*	2
3.13	Tine Shaft	A200631*	1
3.14	Worm Shaft	A200632*	1
3.15	Bearing 30203, Gear Box	A200633*	1
3.16	Key 5x9x22, Gear Box	A200634*	1
3.17	Worm Gear	A200635*	1
3.18	Housing, Right Gear Box	A200636*	1
3.19	Flat Washer, M6	A200496*	1
3.20	Lock Nut, M6	A200497*	1
3.21	Hex Flange Bolt, M8x25	A200563*	1
3.22	Spring Washer, M8	A200514*	4
3.23	Flat Washer, M8	A200506*	4
3.24	6204 Ball Bearing	A200645*	1
3.25	30203 Bearing	A200646*	1
4	Kit, Right & Left Tine	A200827	1
4.1	Left Tine, Outside	A200615*	1
4.2	Left Tine, Inside	A200617*	1
4.3	Right Tine, Inside	A200640*	1
4.4	Right Tine, Outside	A200642*	1
5	Kit, Tine Bolts	A200828	1
5.1	Bolt, M8x45	A200533*	2
5.2	Lock Nut, M8	A200524*	2
5.3	Bolt, M10x45	A200578*	2
5.4	Lock Nut, M10	A200532*	2

\* Part is available through higher level assembly; not stocked individually

# Front Carry Handle and Inspection Plates



REF. NO.	DESCRIPTION	PART NO.	QTY
1	Bolt, M8x25	A200573	4
2	Spring Washer, M8	A200514	4
3	Flat Washer, M8	A200506	4
4	Front Carry Handle	A200647	1
5	Bolt, M6x12	A200685	10
6	Flat Washer, M6	A200496	10
7	Rear Inspection Plate	A200686	1
8	Front Inspection Plate	A200687	1
9	Decal, Gear Drive	A200948	1
10	Decal, Powermate Brand	A200949	1

**MAT Engine Technologies, LLC**  
**Long Grove, IL 60047**

**Rev. 20100216**