

PMC601100

**Insert
Additif
Adición**

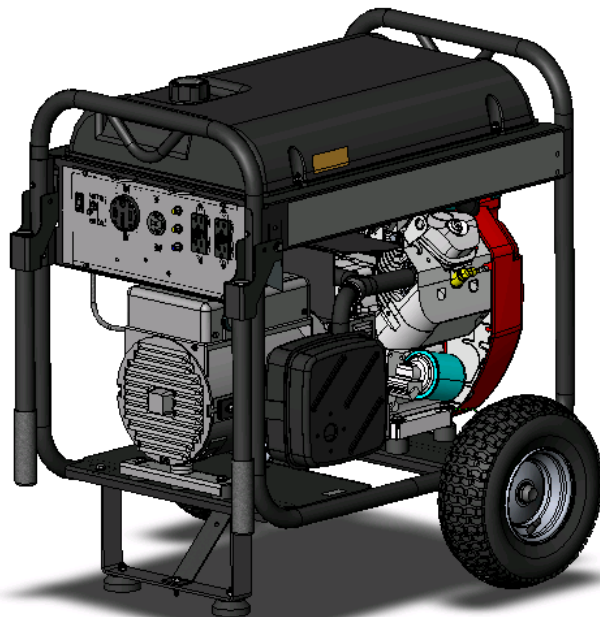
Coleman® Powermate®

ELECTRIC GENERATOR - GROUPE ELECTROGENE - GENERADOR ELECTRICO

Thank you for selecting a Coleman® Powermate® Generator. The Coleman® Powermate® generator has been made to supply reliable, portable electrical power when utility power is not available. We hope you will enjoy your new generator. Welcome to our worldwide family of Coleman® Powermate® generator users.

Merci d'avoir choisi le groupe électrogène Coleman® Powermate®. Ce groupe électrogène Coleman® Powermate® a été conçu pour fournir le pouvoir électrique, portatif et fiable quand le pouvoir d'utilité n'est pas disponible. Nous espérons que votre groupe électrogène vous donnera entière satisfaction. Bienvenue dans la famille mondiale des utilisateurs de groupes électrogènes Coleman® Powermate®.

Gracias por seleccionar un generador Coleman® Powermate®. El generador Coleman® Powermate® ha sido diseñado para proporcionar energía eléctrica confiable y portátil cuando no hay servicio disponible de energía pública. Esperamos que disfrute de su nuevo generador. Bienvenido a nuestra familia de usuarios de generadores Coleman® Powermate® a nivel mundial.



IMPORTANT – Please make certain that persons who are to use this equipment thoroughly read and understand these instructions and any additional instructions provided prior to operation.

IMPORTANT - Prière de vous assurer que les personnes destinées à utiliser cet appareil ont pris soin d'en lire et d'en comprendre le mode d'emploi ou les directives avant de le mettre en marche.

IMPORTANTE. Asegúrese que las personas que utilizarán este equipo lean y entiendan completamente estas instrucciones y cualquier instrucción adicional proporcionada antes del funcionamiento.

MAJOR GENERATOR FEATURES

- * 20 HP Honda OHV engine
- * Cast-iron cylinder sleeve
- * Low oil sensor
- * Receptacles on control panel
- * Electric Start
- * Idle control
- * CordKeeper™
- * 8 gallon plastic fuel tank
- * Portability Kit

CONTROL PANEL

A. 120 Volt GFCI Receptacle

Ground Fault Circuit Interrupter duplex receptacle is rated so that a total of 20 amps may be drawn regardless of whether both halves or just one receptacle is used. This receptacle may be used along with other receptacles provided the generator is not overloaded and total power drawn is kept within nameplate ratings.

Ground Fault Circuit Interrupter

(Conforms to U.L 943, Class A and NEC requirements)

This device protects you against hazardous electrical shock that may be caused if your body becomes a path through which electricity travels to reach ground. This could happen when you touch an appliance or cord that is “live” through faulty mechanism, damp or worn insulation, etc.

B. 120 Volt, 30 Ampere Twistlock Receptacle

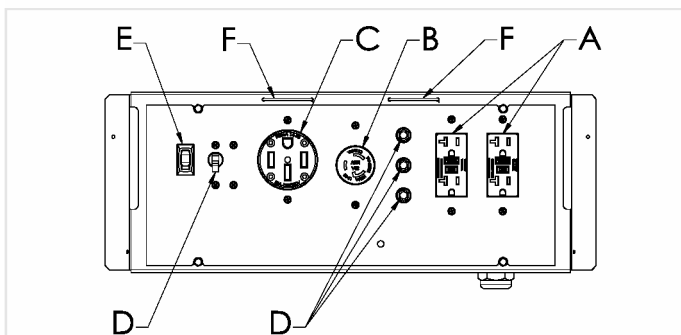
You may draw a maximum of 30 amps from this receptacle. If other receptacles are used at the same time, total power used must be kept within nameplate ratings.

C. 120/240 Volt Heavy Duty Receptacle

This receptacle is rated at 50 amps but the current must be limited to the nameplate rating. If this receptacle is used along with the 120 volt receptacles, the total load drawn must not exceed the nameplate ratings.

D. Circuit Breakers

The receptacles are protected by an AC circuit breaker. If the generator is overloaded or an external short circuit occurs, the circuit breaker will trip. If this occurs, disconnect all electrical loads and try to determine the cause of the problem before attempting to use the generator again. If overloading causes the circuit breaker to trip, reduce the load. **NOTE: Continuous tripping of the circuit breaker may cause damage to generator or equipment.** The circuit breaker may be reset by pushing the button of the breaker.



E. Idle Control Switch

The Idle Control circuit is designed to extend engine life and improve fuel usage by slowing the engine down to approximately 2000 RPM in a “No Load” condition. The noise is also greatly reduced during this condition.

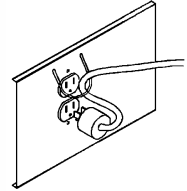
When power is required from the generator an electronic control module automatically senses current flow in the electrical outlet and allows the engine to return to full speed or standard operating condition. Likewise, when the load is removed, the generator will automatically return to the idle condition after a 4-5 second delay.

A convenient switch is mounted in the control panel for easy access and will disable the Idle Control circuitry when in the off position.

NOTE: A 12V battery must be installed in order for the idle control to function.

F. CordKeeper™ Restraint

The CordKeeper™ restraint is a unique feature used to prevent plugs from being pulled out of the receptacles.

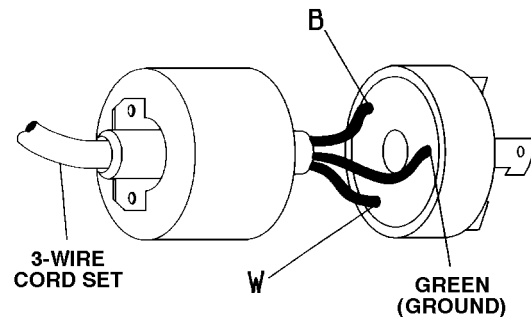


POWER CORD CONNECTIONS

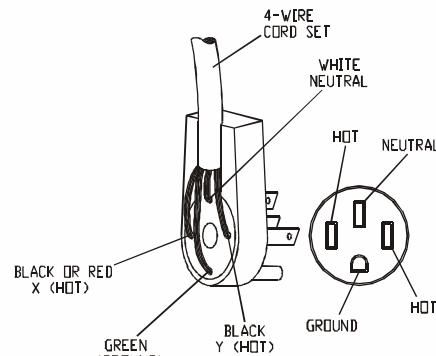
Refer to the appropriate diagram for proper connection of power cord wires to the plug terminals.



CAUTION: Insure that the power cord used is well insulated and has a sufficient rating to match that of the plug.



120 Volt 30 Amp Plug



120/240 Volt Heavy Duty Plug

ELECTRIC START WIRING

The generator is equipped with electric start. An "Off-On-Start" rotary key switch is provided on the recoil end panel. All necessary wiring is provided. The battery is customer provided. See engine manual for wiring diagram (3A Charge Coil), and additional information.

DC FEATURES

The charging system of the unit is supplied by the starter/alternator of the engine. 12 volts DC is constantly charging the battery when the unit is running. Disconnecting the battery will stop the charging of the battery.

Before charging a storage battery, check the electrolyte fluid level in all the cells. (Sealed batteries do not require checking). Add distilled water to each cell if necessary, to bring the level back up to the manufacturer's required level.



WARNING: Storage batteries give off **EXPLOSIVE** hydrogen gas while charging. Do not allow smoking, open flames, sparks, or spark producing equipment in the area while charging.



WARNING: Battery electrolyte fluid is comprised of sulfuric acid that can be very dangerous and cause severe burns. Do not allow this fluid to contact eyes, skin, clothing, etc. If contact or spillage does occur, flush the area with water immediately.



CAUTION: This battery charging system is intended to recharge weak batteries, not to "boost start" vehicles. Do not overcharge battery or leave battery unattended.



CAUTION: Do not continue to charge a battery that becomes hot or is fully charged.

BATTERY INSTALLATION

Powermate Corporation recommends a 12 V battery with at least 235 cranking amps, Model U1L, Lawn and Garden Battery. Place the battery in the position provided. Place the spacers and washers on the bolts, then place the bolts through the loops on the Hold-Down bracket. Place the assembly over the battery and place the bolts through the holes on the battery pan and tighten down the Hold-Down assembly with the 1/4-20 nuts provided.

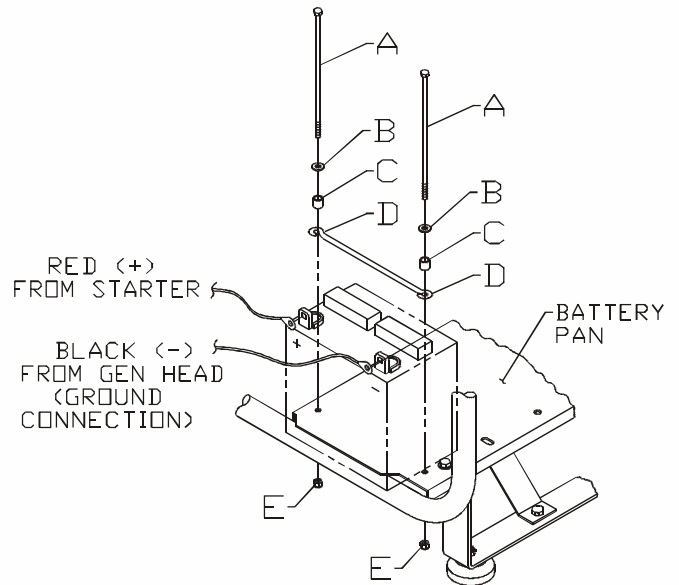
Spacers may be removed depending on the battery height.



WARNING: Batteries contain sulfuric acid (when filled). May contain explosive gasses. Always abide by safety warnings provided with the battery.

- Keep sparks, flame and cigarettes away.
- Hydrogen gas is generated during charging and discharging.
- Always shield eyes, protect skin and clothing when working near batteries.

Connect the red 8 ga. battery lead to the positive (+) battery post and the black 8 ga. battery to the negative (-) battery post with the bolts and nuts provided.



BATTERY KIT PARTS LIST

Item	Description	Qty.
A.	*Bolt, 1/4-20 X 8"	2
B.	*Washer 1/4	2
C.	*Spacer	2
D.	Hold Down bar (P/N 0036525.02)	1
E.	*Nyloc nut, 1/4-20	2

* These are standard parts available at your local hardware store.

PORTABILITY KIT INSTALLATION

TOOLS REQUIRED: Hammer, 1/2" wrench, ratchet with a 1/2" socket, and wood blocks.
Refer to the drawing for proper alignment of Foot bracket and Wheel brackets.

Refer to the parts list on pages 15 and 16.

Wheel Bracket & Wheel Installation

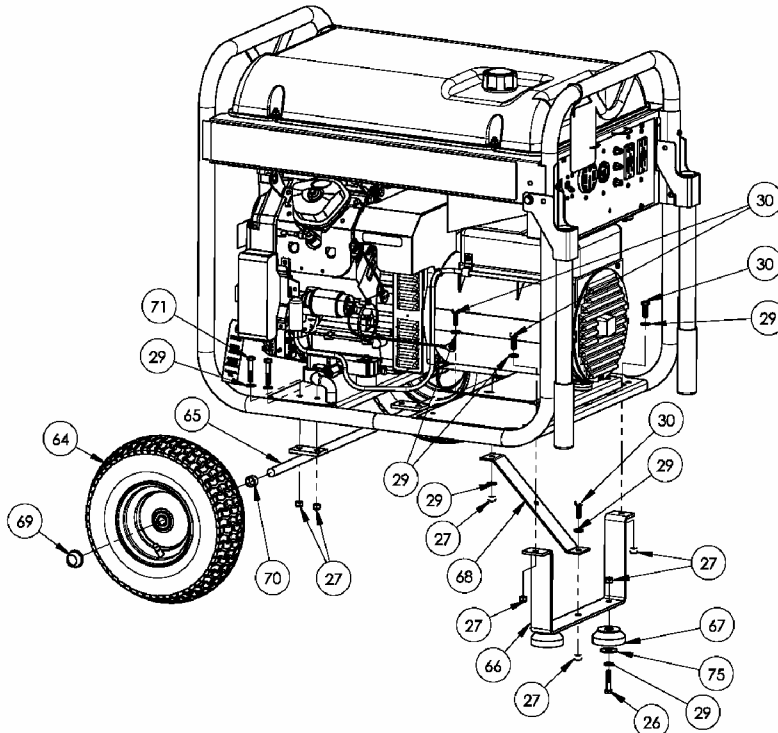
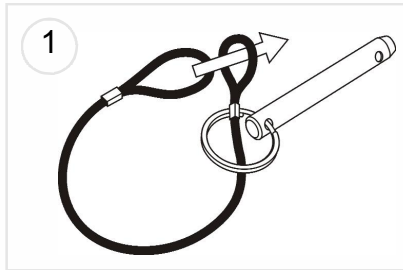
1. Block up end of generator, about 8" high, opposite the fuel tank cap to install wheels and wheel bracket assy.
2. Add 5/16 washer (item 29) to the 1 3/4" bolts (item 71) and insert bolts/washers through the holes located in the base pan of the carrier.
3. Place the wheel bracket (item 65) through the bolts and add a 5/16 nyloc nut (item 27) and tighten securely. (On the bottom side of the pan in-between the holes will be a 1" square brace, the wheel bracket will set on this brace).
4. Add wheel spacer (item 70) to the axle.
5. Slide the wheel (item 64) onto the axle until it is snug against the spacer. The wheel is on correctly if there is approximately a 1/2" gap between the carrier tubing and the side of the wheel. If it is less then 1/2" from the carrier, turn the wheel over and reinstall. Align the wheels parallel to the carrier tubing and tighten nuts securly. To align correctly, the bolts holding the wheel bracket may have to be loosened.
6. With a hammer, add the plastic cap (item 69) on end of axle.
7. Repeat above instructions for the remaining wheel.

Foot bracket Installation

1. Block up opposite end of the unit, about 8" high.
2. Add 5/16 washer (item 29) to 1" bolts (item 30) and place through holes in the base pan.
3. Add foot bracket assembly (item 66) to bolts, add 5/16 nyloc nuts (item 27) and tighten securely.
4. Add support bracket (item 68) from foot bracket to the base pan. Secure in place with 1" bolts (item 30), washers (item 29) and 5/16 nyloc nuts (item 27).

Locking Handle

1. Attach the lanyards (item 72) to the release pins (item 73) and carrier as shown in the illustration.
2. To lock the handle in the extended position, align the holes in the handle brackets with the holes in the carrier brackets and insert the release pins.



LIMITED WARRANTY

Warranty Coverage: Powermate Corporation (the Company) warrants to the original retail customer in North America that it will repair or replace, free of charge, any parts found by the Company or its authorized service representative to be defective in material or workmanship. This warranty covers the cost of replacement parts and labor for defects in material or workmanship.

Not Covered:

- Transportation charges for sending the product to the Company or its authorized service representative for warranty service, or for shipping repaired or replacement products back to the customer; these charges must be borne by the customer.
- Engine is covered exclusively by a separate warranty from the engine manufacturer, included with the engine Manual.
- Damages caused by abuse or accident, and the effects of corrosion, erosion and normal wear and tear.
- Warranty is voided if the customer fails to install, maintain and operate the product in accordance with the instructions and recommendations of the Company set forth in the owner's manual.
- The Company will not pay for repairs or adjustments to the product, or for any costs or labor, performed without the Company's prior authorization.

Warranty Period: Two (2) years from the date of purchase on products used solely for consumer applications; if a product is used for business or commercial applications, the warranty period will be limited to one (1) year from the date of purchase; if a product is used for rental applications, the warranty period will be limited to ninety (90) days from the date of purchase. For warranty service, the customer must provide dated proof of purchase and must notify the Company within the warranty period.

For warranty service: Call toll free 800-445-1805, or write to *Powermate Corporation, Product Services, 4970 Airport Road, P. O. Box 6001, Kearney, NE 68848.*

EXCLUSIONS AND LIMITATIONS: THE COMPANY MAKES NO OTHER WARRANTY OF ANY KIND, EXPRESS OR IMPLIED. IMPLIED WARRANTIES, INCLUDING WARRANTIES OF MERCHANTABILITY AND OF FITNESS FOR A PARTICULAR PURPOSE, ARE HEREBY DISCLAIMED. THE WARRANTY SERVICE DESCRIBED ABOVE IS THE EXCLUSIVE REMEDY UNDER THIS WARRANTY; LIABILITY FOR INCIDENTAL AND CONSEQUENTIAL DAMAGES IS EXCLUDED TO THE EXTENT PERMITTED BY LAW.

This warranty gives you specific legal rights, and you may also have other rights which vary from state to state. Some states do not allow a disclaimer of implied warranties, or the exclusion or limitation of incidental and consequential damages, so the above disclaimers and exclusions may not apply to you.

**CALIFORNIA EMISSION CONTROL WARRANTY STATEMENT
YOUR WARRANTY RIGHTS AND OBLIGATIONS**

The California Air Resources Board and Powermate Corporation (herein "Powermate") are pleased to explain the evaporative emission control system (EECS) warranty on your 2006 generator. In California, new generators must be designed, built and equipped to meet the State's stringent anti-smog standards. Powermate must warrant the EECS on your generator for the periods of time listed below, provided there has been no abuse, neglect or improper maintenance of your generator.

Your EECS includes parts such as: fuel hoses.

MANUFACTURER'S WARRANTY COVERAGE:

This evaporative emission control system is warranted for two years. The warranty period begins on the date the generator is delivered to an ultimate purchaser.

Powermate warrants to the ultimate purchaser and any subsequent owner that the generator is (i) designed, built and equipped so as to conform with all applicable regulations; and (ii) free from defects in materials and workmanship that cause the failure of a warranted part to be identical in all material respects to that part as described in Powermate's application for certification.

If any evaporative emission-related part on your generator is defective, the part will be repaired or replaced by Powermate.

OWNER'S WARRANTY RESPONSIBILITIES:

As the generator owner, you are responsible for performance of the required maintenance listed in your owner's manual. Powermate recommends that you retain all receipts covering maintenance on your generator, but Powermate cannot deny warranty solely for the lack of receipts. You should, however, be aware that Powermate may deny you warranty coverage if your generator or a part has failed due to abuse, neglect or improper maintenance or unapproved modifications.

You are responsible for presenting your generator to an authorized Powermate warranty service center as soon as the problem exists. The warranty repairs should be completed in a reasonable amount of time, not to exceed 30 days. If you have a question regarding your warranty coverage, you should call Powermate Product Service at 1-800-445-1805.

DETAILS OF YOUR WARRANTY

Subject to certain conditions and exclusions as stated below, the warranty on emission-related parts is as follows:

- (1) Any warranted part that is not scheduled for replacement as required maintenance in the written instructions supplied, is warranted for the period stated above. If the part fails during the period of warranty coverage, the part will be repaired or replaced by Powermate according to Subsection (4) below. Any such part repaired or replaced under warranty will be warranted for the remainder of the period.
- (2) Any warranted part that is scheduled only for regular inspection in the written instructions supplied, is warranted for the warranty period stated above. Any such part repaired or replaced under warranty will be warranted for the remaining warranty period.
- (3) Any warranted part that is scheduled for replacement as required maintenance in the written instructions supplied, is warranted for the period of time before the first scheduled replacement date for that part. If the part fails before the first scheduled replacement date, the part will be repaired or replaced by Powermate according to Subsection (4) below. Any such part repaired or replaced under warranty will be warranted for the remainder of the period prior to the first scheduled replacement date for the part.
- (4) Repair or replacement of any warranted part under the warranty provisions herein must be performed at an authorized Powermate warranty service center at no charge to the owner.
- (5) The generator owner will not be charged for diagnostic labor that is directly associated with diagnosis of a defective, emission-related warranted part, provided that such diagnostic work is performed at an authorized Powermate warranty service center.
- (6) Powermate is liable for damages to other engine or generator components proximately caused by a failure under warranty of any warranted part.
- (7) Throughout the generator warranty period stated above, Powermate will maintain a supply of warranted parts sufficient to meet the expected demand for such parts.
- (8) Any replacement part may be used in the performance of any warranty maintenance or repairs and must be provided without charge to the owner. Such use will not reduce the warranty obligations of Powermate.
- (9) Add-on or modified parts that are not exempted by the Air Resources Board may not be used. The use of any non-exempted add-on or modified parts by the ultimate purchaser will be grounds for disallowing a warranty claims. Powermate will not be liable to warrant failures or warranted parts caused by the use of a non-exempted add-on or modified part.
- (10) The repair or replacement of any warranted part otherwise eligible for warranty coverage may be excluded from such warranty coverage if the generator has been abused, neglected or improperly maintained, and such abuse, neglect or improper maintenance was the direct cause of the need for repair or replacement of the part.

WARRANTED PARTS:

The following emission warranty parts list is covered:

Fuel Hose.

CARACTÉRISTIQUES PRINCIPALES DU GROUPE ELECTROGENE

- * Moteur 20 HP Honda OHV
- * Chemise de cylindres en fonte
- * Détecteur de bas niveau d'huile
- * Prises sur tableau de commande
- * Démarreur électrique
- * Commande du ralenti
- * CordKeeper™
- * Réservoir de carburant en plastique d'une contenance de 30.3 litres (8 gallons)
- * Kit de transport

TABLEAU DE COMMANDE

A. Boîtier k'interrupteur de circuit en cas de fuite à la terre 120 volts.

Le boîtier de prise double d'interrupteur de circuit en cas de fuite à la terre a une valeur nominale telle qu'un total de 20 A peut être tiré indépendamment du boîtier utilisé (simple ou demi). Ce boîtier peut être utilisé avec les autres boîtiers en autant que le générateur n'est pas surchargé et que la puissance totale reste dans la fourchette de valeurs indiquées sur la plaque signalétique.

Interrupteur de circuit en cas de fuite à la terre

(conforme à U.L. 943, Catégorie A et exigences NEC).

Cet appareil vous protège contre les dangers de chocs électriques qui peuvent être causés si votre corps devient un conduit pour l'électricité se rendant à la terre. Ceci peut se produire si vous touchez un appareil ou un cordon qui est "sous tension" suite à un mécanisme défectueux, un isolant usé ou humide etc.

B. Prise à verrouillage de 120 V, 30 A

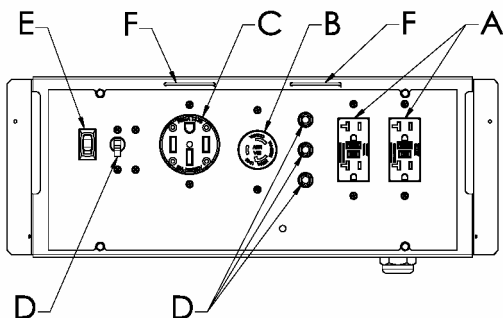
Cette prise fournit un maximum de 30 A. Si d'autres prises sont utilisées en même temps que celle-ci, la charge totale doit rester dans les limites indiquées sur la plaque signalétique.

C. Boîtier résistant 120/240 volts

Ce boîtier a une valeur nominale de 50 A, mais le courant doit être limité à la valeur de la plaque signalétique. Si ce réceptacle est utilisé avec des boîtiers de 120 volts, la charge totale ne doit pas dépasser les valeurs de plaque signalétique.

D. Disjoncteurs

Les prises sont protégées par un disjoncteur alternatif. En cas de surcharge ou de court-circuit extérieur, le disjoncteur saute. Si cela se produit, débrancher tout appareil relié au groupe électrogène et essayer de déterminer la cause du problème avant d'essayer de le réutiliser. Si le disjoncteur saute en raison d'une surcharge, réduire la charge.



REMARQUE : Le groupe électrogène ou les appareils branchés dessus peuvent se trouver abîmés si le disjoncteur saute continuellement. Appuyer sur le bouton du disjoncteur pour le réenclencher.

E. Interrupteur de la commande de ralenti

Le circuit de commande du ralenti est conçu pour prolonger la durée de vie utile du moteur et en améliorer la consommation de carburant en réduisant le régime à environ 2000 tours/mn en condition «sans charge». Ceci assure également une forte réduction du bruit.

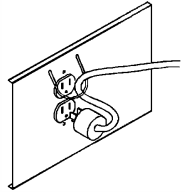
Lorsque la production d'électricité doit reprendre, un module de commande électronique «sent» le débit de courant dans la prise de courant et permet au moteur de retourner à son plein régime ou aux conditions de fonctionnement normales. De même, lorsque la charge est retirée, le groupe électrogène se remet automatiquement au ralenti.

Un interrupteur monté sur le tableau de commande pour plus de facilité d'accès. Il coupe le circuit de commande du ralenti lorsqu'il est mis en position éteinte.

Remarque: Un 12V batterie être installée pour le commande de ralenti pour fonctionner.

F. CordKeeper™ la Restriction

Le CordKeeper™ la restriction est un dispositif unique qui empêche la fiche de ressortir accidentellement d'une prise.

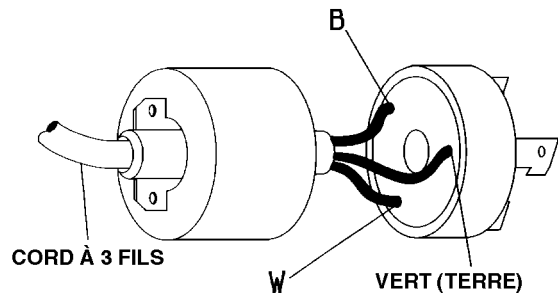


CONNEXIONS DU CORDON D'ALIMENTATION

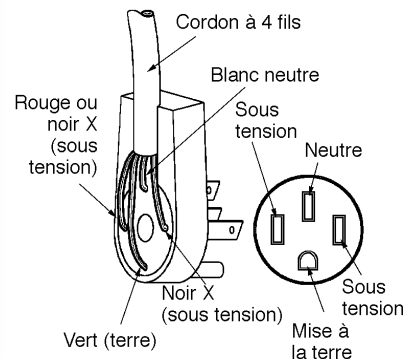
Vous référer aux diagrammes appropriés pour relier les fils du cordon d'alimentation aux bornes voulues de la fiche.



ATTENTION : Veiller à ce que le cordon d'alimentation utilisé soit bien isolé et d'un ampérage correspondant à celui de la fiche.



Fiche de 120 V et 30 A



Fiche de 240 V, 50 A

CÂBLAGE DU DÉMARREUR ÉLECTRIQUE

Si votre générateur est doté d'un démarreur électrique. An "Off-On-Start" rotary key switch is provided on the recoil end panel. Un "Arrêt-Marche-Démarrer" le commutateur clé rotatif est fourni sur le recule le panneau de fin. Tous les fils nécessaires sont fournis tandis que le client doit fournir la batterie. Voir le manuel de moteur pour installation électrique de diagramme (3A Bobine de Charge), et l'information supplémentaire.

CARACTÉRISTIQUES DE CC

Le système de charge de l'appareil est assuré par le démarreur et l'alternateur du moteur. Une tension de 12 volts c.c. charge sans cesse la batterie lorsque l'appareil fonctionne. Le débranchement de la batterie met fin à sa charge.

Avant de recharger une batterie, vérifiez le niveau de liquide électrolytique dans tous les éléments. Ajoutez de l'eau distillée à chaque élément, si nécessaire, pour ramener le niveau à celui exigé par le fabricant.



⚠ AVERTISSEMENT: Il se dégage un gaz **EXPLOSIF** (hydrogène) des batteries pendant qu'elles se rechargent. **Ne pas permettre de fumer ni autoriser la présence de flammes, étincelles ou matériel produisant des étincelles à proximité.**



⚠ AVERTISSEMENT: L'électrolyte de la batterie se compose d'acide sulfurique, un acide qui peut être très dangereux et provoquer des brûlures graves. **Ne pas permettre le contact de ce liquide avec les yeux, la peau, les vêtements, etc. En cas de contact ou si du liquide se trouve renversé, bien rincer à l'eau tiède immédiatement.**



ATTENTION : Ce chargeur est destiné à la recharge des batteries et non pas au démarrage des véhicules en panne. Éviter de charger la batterie à l'excès ou de la laisser sans surveillance.



ATTENTION : Ne pas continuer de charger une batterie chaude ou pleinement chargée.

INSTALLATION DE LA BATTERIE

Powermate Corporation recommande une batterie de 12 V fournissant au moins 235 A au démarrage. Batterie Lawn and Garden modèle U1L. Placer la batterie à l'emplacement prévu. Placer les entretoises et rondelles sur les boulons, puis les boulons dans les boucles de la barre de retenue. Placer l'assemblage sur la batterie, insérer les boulons dans les trous du plateau de la batterie et serrer la barre au moyen des écrous 1/4-20 fournis.

Il est possible d'enlever les entretoises, selon la hauteur de la batterie.

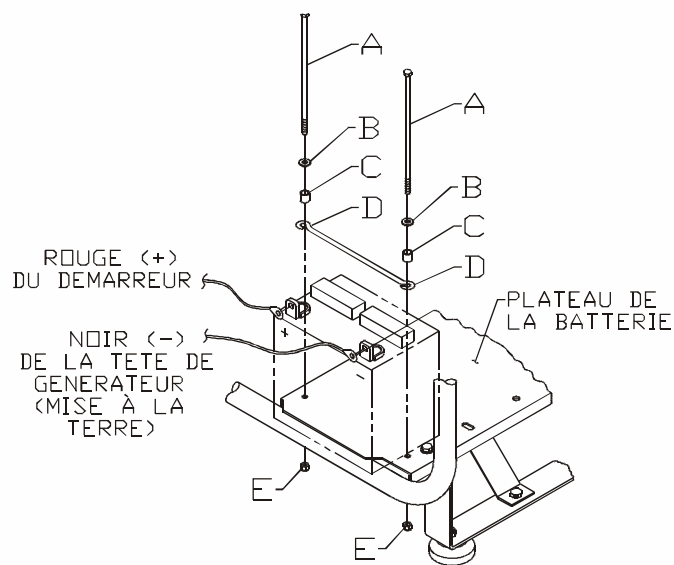


fabricant.

AVERTISSEMENT: Les batteries **⚠ contiennent de l'acide sulfurique (lorsqu'elles sont pleines). Elles peuvent également produire des gaz explosifs. Toujours observer les mesures de sécurité recommandées par le**

- **Ne pas fumer à proximité de batteries, les garder à distance sûre de toute source d'étincelles ou de flamme.**
- **De l'hydrogène est produit pendant la décharge et la recharge de la batterie.**
- **Toujours protéger les yeux, la peau et les vêtements lorsqu'on travaille à proximité de batteries.**

Brancher le fil rouge de calibre 8 de la batterie à la borne positive (+) et le fil noir de calibre 8 à la borne négative (-) le la batterie au moyen des boulons et des écrous fournis.



LISTE DES PIÈCES DE LA TROUSSE DE BATTERIES

Ref.	Description	Qty.
A.	*Boulon, 1/4-20 x 8"	2
B.	*Rondelles plates	2
C.	*Entretoises	2
D.	Barre de retenue (P/N 0036525.02)	2
E.	*Écrous nyloc 1/4-20	2

*Toutes les pièces sont standard et sont en vente à la quincaillerie locale.

L'INSTALLATION DE KIT DE TRANSPORT

OUTILS NÉCESSAIRES : Marteau, clé de 1/2 po, clé à cliquets avec douille de 1/2 po et blocs de bois.

Consulter le dessin pour bien aligner la ferrure de pied et les ferrures de roue.

Reportez-vous à la liste des pièces des pages 15 et 16.

Installation de la ferrure de roue et de la roue.

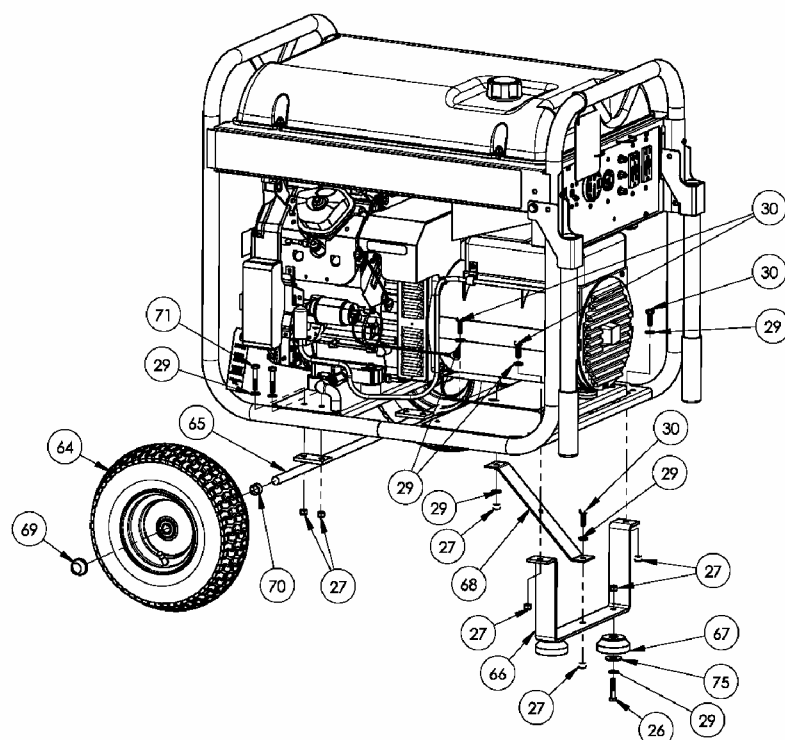
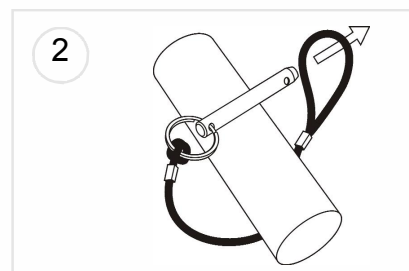
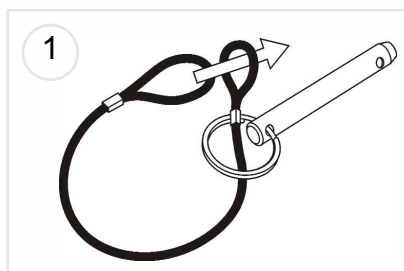
1. Mettre des cales d'environ 8 po de hauteur sous une extrémité de la génératrice, du côté opposé au bouchon du réservoir de carburant pour poser les roues et les ferrures de roue.
2. Ajouter une rondelle de 5/16 po (**article 29**) aux boulons de 1 3/4 po (**article 71**) et insérer les assemblages dans les trous situés dans la plaque du tuyau porteur.
3. Placer la ferrure de roue (**article 65**) sur les boulons et ajouter un écrou à frein élastique de 5/16 po (**article 27**) et serrer à fond. (Une entretoise carrée de 1 po se trouve au fond du plateau entre les trous. La ferrure de roue s'appuie sur cette entretoise.)
4. Ajouter une entretoise de roue (**article 70**) à l'essieu.
5. Poser la roue (**article 64**) sur l'essieu. Aligner les roues parallèles au tuyau porteur et serrer les écrous à fond. Pour obtenir un bon alignement, desserrer les boulons qui fixent la ferrure de roue.
6. À l'aide d'un marteau, ajouter un chapeau de plastique (**article 69**) à l'extrémité de l'essieu.
7. Répéter la procédure pour l'autre roue.

Installation de la ferrure de pied

1. Mettre des cales d'environ 8 po de hauteur sous une extrémité de l'appareil.
2. Ajouter une rondelle de 5/16 po (**article 29**) aux boulons de 1 po (**article 30**) et poser l'assemblage dans les trous du plateau.
3. Ajouter la ferrure de pied (**article 66**) aux boulons, poser des écrous à frein élastique de 5/16 po (**article 27**) et serrer à fond.
4. Ajouter une ferrure de soutien (**article 68**) qui relie la ferrure de pied au plateau. Fixer au moyen de boulons de 1 po (**article 30**), de rondelles (**article 29**) et d'écrous à frein élastique de 5/16 po (**article 27**).

Poignée Verrouillant

1. Attacher le lanyards (**article 72**) aux épingles de relâchement (**article 73**) et le transporteur selon l'illustration.
2. Pour verrouiller la poignée dans la position étendue, aligner les trous dans les support de poignée avec les trous dans les support de transporteur et insérer les épingles de relâchement.



GARANTIE LIMITÉE

Couverture limitée : Powermate Corporation (la compagnie) garantit au revendeur d'origine en Amérique du Nord qu'elle réparera ou remplacera, sans frais, toutes les pièces que la compagnie ou que son représentant du service autorisé auront déterminé comme étant défectueuses du point de vue du matériel ou de la fabrication. La garantie couvre les coûts de remplacement des pièces et de main-d'œuvre pour tout défaut matériel ou de fabrication.

Ce qui n'est pas couvert :

- Les frais de transport pour envoyer le produit à la compagnie ou à son représentant du service autorisé pour effectuer le travail couvert par la garantie, les frais d'expédition au client des produits réparés ou remplacés. Ces frais doivent être assumés par le client.
- Le moteur est couvert exclusivement par une garantie distincte du fabricant du moteur. Cette garantie est incluse dans le guide d'utilisation du moteur.
- Les dommages causés par un abus ou un accident, et les effets de la corrosion, de l'érosion ainsi que de l'usure normale.
- La garantie est annulée si le client n'arrive pas à installer, garder et faire fonctionner le produit conformément aux directives et aux recommandations de la compagnie formulées dans le guide d'utilisation.
- La compagnie ne paiera pas de réparation ou des ajustements au produit, ou pour les coûts ou main-d'œuvre, exécuté sans l'autorisation préalable de la compagnie.

Période couverte par la garantie : Deux (2) ans à partir de la date d'achat sur les produits utilisés uniquement pour les applications de consommateur. Si le produit est utilisé à des fins d'affaires ou commerciales, la période couverte par la garantie se limite à un (1) an à partir de la date d'achat. Si le produit est utilisé comme équipement de location, la période couverte par la garantie se limite à quatre-vingt-dix (90) jours à partir de la date d'achat. En ce qui concerne l'entretien couvert par la garantie, le client doit présenter une preuve de la date d'achat et il doit aviser la compagnie au cours de la période couverte par la garantie.

Pour tout ce qui touche l'entretien couvert par la garantie : Composez sans frais le 1 800 445-1805, ou écrivez à Powermate Corporation, Product Services, 4970 Airport Road, P. O. Box 6001, Kearney, NE 68848 É.-U.

EXCLUSIONS ET LIMITATIONS : LA COMPAGNIE NE PRÉSENTE AUCUNE AUTRE GARANTIE, EXPRESSE OU IMPLICITE. LES GARANTIES IMPLICITES, INCLUANT LES GARANTIES DE QUALITÉ MARCHANDE ET DE CONFORMITÉ AUX BESOINS SONT, PAR LA PRÉSENTE, ABANDONNÉES. L'ENTRETIEN COUVERT PAR LA GARANTIE DÉCRIT CI-DESSUS EST UN RECOURS EXCLUSIF EN VERTU DE CETTE GARANTIE. LA RESPONSABILITÉ POUR DES DOMMAGES ACCESSOIRES ET INDIRECTS EST EXCLUE JUSQU'À LA LIMITE AURORISÉE PAR LA LOI.

Cette garantie vous donne des droits spécifiques reconnus par la loi. Vous pouvez également bénéficier de certains autres droits, lesquels varient d'une province (État) à l'autre. Certaines provinces (ou certains États) n'autorisent pas de clauses de renonciation des garanties implicites ou de limites à l'égard de dommages accessoires ou indirects, ainsi, les clauses de renonciation et les exclusions ci-dessus peuvent ne pas s'appliquer à vous.

DÉCLARATION DE GARANTIE DE CONFORMITÉ AUX RÈGLEMENTS ANTIPOLLUTION DE LA CALIFORNIE DROITS ET OBLIGATIONS EN VERTU DE LA GARANTIE

Le California Air Resources Board et la société Powermate Corporation (ci-après "Powermate") sont fiers d'expliquer la garantie de conformité du système de recyclage des vapeurs de carburant ("EECS") de votre génératrice 2006. Dans l'état de la Californie, les nouvelles génératrices doivent être conçues, fabriquées et équipées pour être conformes aux règlements antipollution stricts de l'État en matière de protection de l'environnement. Powermate doit garantir l'EECS de votre génératrice pour les périodes énumérées ci-dessous, pourvu que votre génératrice n'ait fait l'objet d'aucun usage abusif, négligence ou entretien inapproprié.

Votre EECS comprend des pièces telles que : les canalisations de carburant.

COUVERTURE DE GARANTIE DU FABRICANT :

Ce système de recyclage des vapeurs de carburant est garanti pour une période de deux ans. La période de la garantie commence à la date de livraison de la génératrice à l'acheteur ultime.

Powermate garantit à l'acheteur ultime et à tout acheteur subséquent que la génératrice a été (i) conçue, fabriquée et équipée de manière à être conforme à tous les règlements applicables; et que (ii) celle-ci est exempte de défauts de matériel et de fabrication qui provoquent la défaillance identique d'une pièce sous garantie à tous les égards matériels que la pièce décrite dans la demande de certification de Powermate.

Si toute pièce de votre génératrice reliée aux vapeurs de carburant est défectueuse, celle-ci sera réparée ou remplacée par Powermate.

RESPONSABILITÉS DE LA GARANTIE DU PROPRIÉTAIRE :

À titre de propriétaire de la génératrice, vous êtes responsable de l'exécution de l'entretien requis, tel qu'il figure dans votre guide du propriétaire. Powermate recommande que vous conserviez tous les reçus de l'entretien dont votre génératrice, mais Powermate ne peut refuser la garantie pour seule cause du manque de reçus. Toutefois, vous devez être conscient que Powermate peut refuser votre garantie si votre génératrice ou l'une de ses pièces a fait défaut en raison d'un usage abusif, d'une négligence ou d'un entretien inapproprié ou de modifications non autorisées.

Vous êtes responsable de remettre votre génératrice à un centre de service de garantie agréé de Powermate dès que l'anomalie se manifeste. Les réparations au titre de la garantie doivent être effectuées dans un laps de temps raisonnable ne devant pas dépasser 30 jours. Pour toute question concernant votre couverture de garantie, veuillez appeler le Service des produits Powermate au 1 800 445-1805.

DÉTAILS DE LA GARANTIE

Sous réserve de certaines conditions et exclusions énumérées ci-dessous, la garantie sur les pièces de recyclage de carburant est la suivante :

- (1) Toute pièce sous garantie dont le remplacement n'est pas prévu à titre d'entretien requis dans les consignes écrites fournies est garantie pour la période précitée. Si la pièce fait défaut pendant la période de garantie, la pièce sera réparée ou remplacée par Powermate conformément à la sous-section (4) ci-dessous. Toute telle pièce réparée ou remplacée en vertu de la garantie sera toujours protégée en vertu de la garantie pour le reste de la période.
- (2) Toute pièce sous garantie dont seulement l'inspection régulière est prévue selon les consignes écrites fournies est garantie pour la période de garantie précitée. Toute telle pièce réparée ou remplacée en vertu de la garantie sera toujours protégée en vertu de la garantie pour le reste de la période de garantie.
- (3) Toute pièce sous garantie dont le remplacement est prévu à titre d'entretien requis dans les consignes écrites fournies est garantie pour la période précédant la première date prévue de remplacement de cette pièce. Si la pièce fait défaut avant la première date de remplacement prévue, la pièce sera réparée ou remplacée par Powermate conformément à la sous-section (4) ci-dessous. Toute telle pièce réparée ou remplacée en vertu de la garantie sera toujours protégée en vertu de la garantie pour le reste de la période précédant la première date de remplacement prévue pour cette pièce.
- (4) La réparation ou le remplacement de toute pièce sous garantie en vertu des dispositions de la garantie énoncées dans la présente doit être effectué chez un centre de service de garantie agréé de Powermate, sans frais pour le propriétaire.
- (5) Le propriétaire de la génératrice ne devra payer aucuns frais pour la main-d'œuvre de diagnostic directement reliée avec le diagnostic d'une pièce défectueuse sous garantie reliée aux vapeurs de carburant, pourvu que ledit travail de diagnostic soit effectué chez un centre de service de garantie agréé de Powermate.
- (6) Powermate est responsable des dommages aux autres composants de moteur ou de génératrice découlant directement d'une défaillance sous garantie de toute pièce sous garantie.
- (7) Tout au long de la période de garantie précitée de la génératrice, Powermate maintiendra un approvisionnement des pièces sous garantie en nombres suffisants pour satisfaire à la demande de telles pièces.
- (8) Toute pièce de rechange peut être utilisée dans l'exécution de tout entretien ou réparation sous garantie et doit être offerte sans frais pour le propriétaire. Une telle utilisation ne réduira pas les obligations de Powermate à l'égard de la garantie.
- (9) Les pièces ajoutées ou modifiées qui ne font pas l'objet d'une homologation par Air Resources Board ne peuvent être utilisées. L'utilisation par l'acheteur ultime de toute pièce ajoutée ou modifiée ne faisant pas l'objet d'une homologation donnera lieu à un refus de la réclamation au titre de la garantie. Powermate ne pourra être tenue responsable des défaillances de pièces sous garantie découlant de l'utilisation d'une pièce ajoutée ou modifiée ne faisant pas l'objet d'une homologation.
- (10) La réparation ou le remplacement de toute pièce sous garantie autrement admissible à une couverture de garantie peut être exclu de ladite couverture de garantie si la génératrice a fait l'objet d'un usage abusif, d'une négligence ou d'un entretien inapproprié, et si un tel usage abusif, négligence ou entretien inapproprié s'avère la cause directe du besoin de réparation ou de remplacement de la pièce.

PIÈCES SOUS GARANTIE :

Les pièces énumérées ci-dessous sont couvertes par la garantie :

Canalisation de carburant.

CARACTERISTICAS PRINCIPALES DEL GENERADOR

- * Motor 20 HP Honda OHV
- * Manga de hierro fundido del cilindro
- * El sensor del nivel bajo de aceite
- * Receptáculos sobre el panel de control
- * El arranque eléctrico
- * Control en vacío
- * CordKeeper™
- * Tanque plástico de combustible con capacidad de 30.3 litros (8 galones)
- * Juego de transporte

PANEL DE CONTROL

A. Tomacorriente GFCI de 120 Voltios

El tomacorriente doble del interruptor accionado por corriente de pérdida a tierra tiene una especificación tal que se puede tomar un total de 20 amperios indiferentemente a si se utilizan los dos medios o sólo un tomacorriente. Este tomacorriente puede utilizarse al mismo tiempo que los otros tomas siempre y cuando no se tomada se mantenga dentro de las especificaciones de la placa de identificación.

Interruptor de corriente de pérdida a tierra

(Se ajusta a los requisitos de U.L. 93, Clase A y NEC)

Este dispositivo lo protege contra una sacudida eléctrica peligrosa que puede causarse cuando su cuerpo se convierte en una senda por la cual la electricidad viaja para alcanzar la tierra. Esto podría suceder cuando usted toca un aparato o la cuerda que es "vive" por mecanismo defectuoso, aislamiento húmedo o llevado, etc.

B. Receptáculo de cierre giratorio de 120 Voltios, 30 A

Puede extraerse un máximo de 30 amp desde este receptáculo. Si se utilizan otros receptáculos al mismo tiempo, la potencia total usada debe mantenerse dentro de los valores nominales de la placa de identificación.

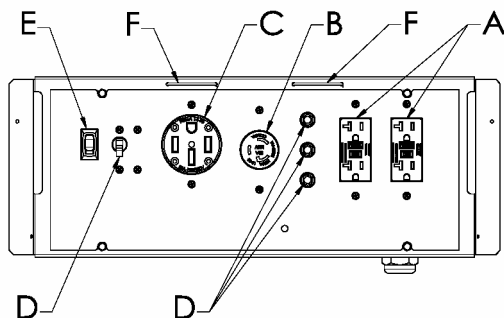
C. Tomacorriente reforzado de 120/240 voltios

Este tomacorriente se clasifica como 50 amperios pero se debe limitar la corriente a las especificaciones de la placa de identificación. Si se utiliza este tomacorriente con un tomacorriente de 120 voltios, el total de la carga tomada no debe exceder las especificaciones de la placa de identificación.

D. Interruptor

Los receptáculos se protegen mediante un cortacircuitos de CA. Si se sobrecarga el generador u ocurre un cortocircuito externo, el cortacircuitos saltará. Si esto ocurre, desconecte todas las cargas eléctricas y trate de determinar la causa del problema antes de usar el generador nuevamente. Si la sobrecarga causa que salte el cortacircuitos, reduzca la carga.

NOTA: Si salta continuamente el cortacircuitos, se podría dañar el generador o el equipo. El cortacircuitos puede restaurarse pulsando el botón del cortacircuitos.



E. Llave de control de marcha en vacío

El circuito de control en vacío está diseñado para extender la vida útil del motor y mejorar el uso de combustible, retardando el motor hasta aproximadamente 2000 RPM en condiciones "sin carga". El ruido también se reduce mucho en estas condiciones.

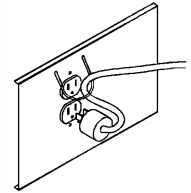
Cuando se requiere potencia desde el generador, un módulo de control electrónico automático detecta el flujo de corriente en el tomacorriente eléctrico y permite que el motor vuelva a plena velocidad o a condiciones de funcionamiento estándar. Del mismo modo, cuando se retira la carga, el generador automáticamente regresará a la condición de marcha en vacío después de un retardo de 4 a 5 segundos.

Hay un interruptor muy conveniente montado en el panel de control para lograr un acceso fácil. El mismo desactivará los circuitos de control en vacío cuando está en la posición de apagado.

NOTA: UNA batería 12V se debe instalar en la orden para el control en vacío para funcionar.

F. CordKeeper™ Restricción

El CordKeeper™ restricción es una característica exclusiva que se utiliza para impedir que los tapones se salgan de los receptáculos de 120 voltios.

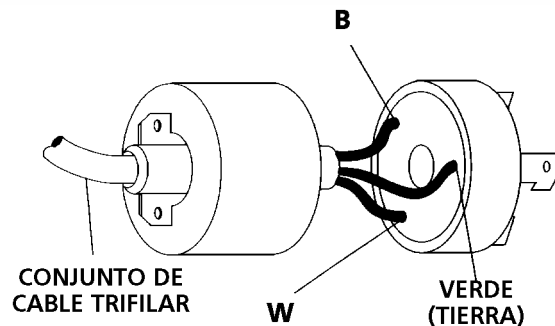


CONEXIONES DEL CABLE

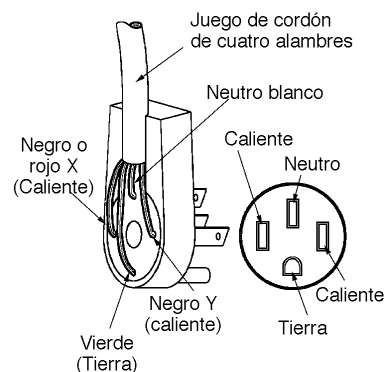
Consulte el diagrama correspondiente para ver la conexión correcta de los cables eléctrico en las terminales del enchufe.



PRECAUCION: Asegúrese de que el cable usado tenga un buen aislamiento y valores nominales que coincidan con el enchufe.



Enchufe de 120 voltios y 30 amperios



Enchufe de 120/240 voltios y 50 amperios

CABLEADO DE ARRANQUE ELECTRICO

Si su generador está equipado con encendido eléctrico. Se provee de una llave giratoria "Off-On-Start" en el panel trasero. Se provee de todos los cables necesarios. La batería es provista por el cliente. La batería es cliente proporcionada. Vea manual de motor para alambrear esquema (Rollo de Carga 3A), e información adicional.

CARACTERÍSTICAS CC

El sistema de carga de la unidad se abastece por medio del arrancador/alternador del motor. La batería se carga constante con 12 VCD siempre que el motor esté funcionando. Al desconectar la batería se detendrá la carga de la misma.

Antes de cargar una batería de almacenaje, verifique el nivel de fluido electrolítico en todas las células. (Las baterías selladas no requieren esta verificación). Agregue agua destilada a cada célula, si fuera necesario, para traer el nivel hasta el valor requerido por el fabricante.



⚠ ADVERTENCIA: Las baterías de almacenaje emiten gas hidrógeno **EXPLOSIVO** al estar en carga. No permita que se fume ni la existencia de llamas abiertas, chispas o equipos que produzcan chispas en la zona al estar en carga.



⚠ ADVERTENCIA: El fluido electrolítico de la batería está compuesto de ácido sulfúrico que puede ser muy peligroso y causar quemaduras graves. No permita que este fluido entre en contacto con los ojos, la piel, la ropa, etc. En caso de ocurrir un contacto o un derrame, enjuague la zona con agua inmediatamente.



PRECAUCION: Este sistema de carga de la batería sirve para volver a cargar las baterías débiles, y no para "arrancar por refuerzo" los vehículos. No sobrecargue la batería o deje la batería sin atención.



PRECAUCION: No continúe cargando una batería que se ha quedado caliente o que esté completamente cargada.

INSTALACIÓN DE LA BATERÍA

Powermate Corporation recomienda una batería de 12 V con, por lo menos, 235 amps disponibles. El model U1L, Batería Lawn and Garden. Coloque la batería en la posición provista. Coloque los espaciadores y arandelas en los pernos, enseguida, coloque los pernos a través de los lazos en la ménsula sujetadora. Acomode el montaje sobre la batería y pase los pernos a través de los orificios que se encuentran en la base de la batería y apriete el montaje sujetador con las tuercas de 1/4-20 suministradas.

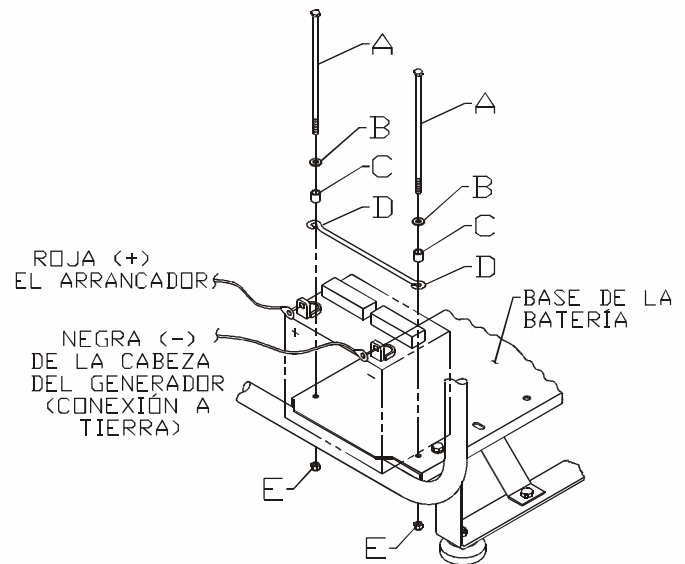
Se pueden quitar espaciadores dependiendo de la altura de la batería.



⚠ ADVERTENCIA: Las baterías contienen ácido sulfúrico (cuando están llenas). Pueden contener gases explosivos. Siempre deben cumplirse las advertencias de seguridad provistas con la batería.

- Mantenga alejadas las chispas, la llama y los cigarrillos.
- El gas hidrógeno se genera durante la carga y la descarga.
- Siempre proteja los ojos, la piel y la ropa al trabajar cerca de las baterías.

Conecte la punta roja de calibre 8 de la batería al poste positivo (+) de la misma y la punta negra de calibre 8 al poste negativo (-). Para esto, utilice los pernos y las tuercas suministrados.



LISTA DE PARTES PARA EL EQUIPO DE BATERÍA

Artículo	Description	Cantidad
A.	*Perno 1/4-20 X 8"	2
B.	*Arandela, plana 1/4	2
C.	*Espaciador	2
D.	Barra sujetadora (PN 0036525.02)	1
E.	*Tuerca, nyloc 1/4-20	2

*Todas las partes son estándar y puede encontrarlas en su ferretería local.

INSTALACION DEL JUEGO DE TRANSPORT

HERRAMIENTAS NECESARIAS: Martillo, llave de 1/2", maneral con un dado de 1/2" y bloques de madera.
Consulte la lista de partes en las páginas 15 y 16.

Ménsula de la rueda e instalación de la rueda.

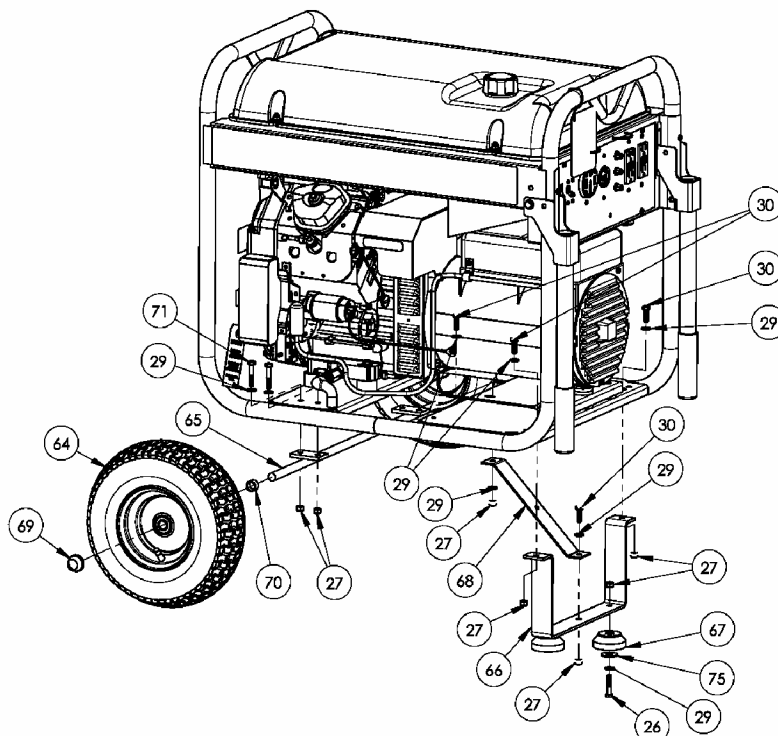
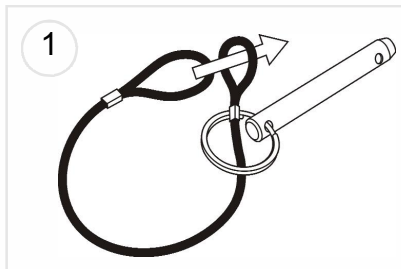
1. Bloquee el extremo del generador, alrededor de 8" de alto, que está en sentido opuesto al tapón del tanque de combustible para instalar las ruedas y el montaje de la ménsula de rueda.
2. Coloque una arandela de 5/16 (**artículo 29**) a los pernos de 1 3/4" (**artículo 71**) e inserte los pernos y arandelas a través de los orificios localizados en la charola base del transportador.
3. Pase la ménsula de la rueda (**artículo 65**) a través de los pernos y coloque una tuerca nyloc de 5/16 (**artículo 27**); apriete firmemente. (En el lado inferior de la charola, entre los orificios, hay un tirante de 1", la rueda debe acomodarse en este tirante).
4. Coloque un espaciador (**artículo 70**) para rueda al eje.
5. Acomode la rueda (**artículo 64**) en el eje. Alinee las ruedas para que queden paralelas a la tubería y apriete firmemente las tuercas. Para alinear correctamente, tal vez sea necesario aflojar los pernos que sujetan la ménsula de la rueda.
6. Con un martillo, coloque el tapón de plástico (**artículo 69**) en el extremo del eje.
7. Repita las instrucciones anteriores para la rueda restante.

Instalación de la ménsula de pie.

1. Bloquee el extremo opuesto de la unidad, aproximadamente 8" de alto.
2. Coloque una arandela de 5/16 (**artículo 29**) a los pernos de 1" (**artículo 30**) e inserte a través de los orificios que están en la charola base.
3. Coloque el ensamble de la ménsula de pie (**artículo 66**) en los pernos, ponga tuercas nyloc de 5/16 (**artículo 27**) y apriete firmemente.
4. Coloque una ménsula de apoyo (**artículo 68**) desde la ménsula de pie hasta la charola de la base. Fíjela con pernos de 1" (**artículo 30**), arandelas (**artículo 29**) y tuercas nyloc de 5/16 (**artículo 27**).

Manija que Cierra

1. Conecte los acoladores (**artículo 72**) a los alfileres de la liberación (**artículo 73**) y el portador como mostrado en la ilustración.
2. Para cerrar el manija en la posición extendida, alinea los hoyos en los soporte del manija con los hoyos en los soporte de transportador y mete los alfileres de la liberación.



GARANTÍA LIMITADA)

Cobertura de la garantía: Powermate Corporation (la Compañía) garantiza al cliente minorista original en América del Norte, que reparará o reemplazará, sin costo alguno, cualesquiera partes que la Compañía o cualquiera de sus representantes de servicio autorizados encuentren defectuosas en sus materiales o en su fabricación. Esta garantía cubre el costo de partes de reemplazo y mano de obra por defectos en materiales o en fabricación.

No están cubiertos:

- Costos de transporte por el envío del producto a la Compañía o a sus representantes de servicio autorizados por servicio de garantías, o por el reenvío de los productos reparados o de reemplazo al consumidor; estos cargos los deberá cubrir el cliente.
- El motor está cubierto exclusivamente por una garantía por separado por parte del fabricante del motor, que se incluye en el Manual del motor.
- Daños ocasionados por el mal uso o por un accidente, y los efectos de la corrosión, la erosión, el desgaste y el uso normales.
- La garantía no será válida si el consumidor no instala, da mantenimiento y hace funcionar el producto de acuerdo con las instrucciones y recomendaciones de la Compañía, descritas en el manual del usuario.
- La Compañía no pagará por reparaciones ni ajustes al producto, ni costos ni mano de obra, realizado sin la Compañía's la autorización previa.

Período de garantía: Dos (2) años de la fecha de la compra en productos utilizados únicamente para aplicaciones de consumo; si un producto se utiliza para usos comerciales o con fines de lucro, el período de garantía se limitará a un (1) año a partir de la fecha de compra; si el producto se utiliza como equipo de arrendamiento, el período de garantía se limitará a noventa (90) días a partir de la fecha de compra. Para obtener el servicio de garantía, el cliente debe proporcionar el comprobante de compra fechado y debe notificar a la Compañía dentro del período de garantía.

Para el servicio de garantía: Llame sin costo al número 800-445-1805 o escriba a *Powermate Corporation, Product Services, 4970 Airport Road, P. O. Box 6001, Kearney, NE 68848 EE. UU.*

EXCLUSIONES Y LIMITACIONES: LA COMPAÑÍA NO OTORGA NINGUNA OTRA GARANTÍA DE NINGÚN TIPO, EXPLÍCITA O IMPLÍCITA. POR ESTE MEDIO SE RENUNCIA A LAS GARANTÍAS IMPLÍCITAS, INCLUYENDO GARANTÍAS DE COMERCIALIZACIÓN O DE ADAPTABILIDAD PARA UN PROPÓSITO PARTICULAR. EL SERVICIO DE GARANTÍA DESCRITO ANTERIORMENTE ES EL RECURSO EXCLUSIVO CUBIERO POR ESTA GARANTÍA; LA RESPONSABILIDAD CIVIL POR DAÑOS INCIDENTALES Y CONSECUENTES SE EXCLUYEN EN LA MEDIDA EN QUE LA LEY LO PERMITA.

Esta garantía le otorga derechos legales específicos y también puede ser objeto de otros derechos que varían de estado a estado. Algunos Estados no permiten la exención de responsabilidad de garantías implícitas o la exclusión o limitación de daños incidentales o consecuentes, de manera que las exenciones y exclusiones de responsabilidades pueden no ser aplicables a usted.

DECLARACIÓN DE GARANTÍA DEL CONTROL DE EMISIÓN DE CALIFORNIA LOS DERECHOS Y OBLIGACIONES DE SU GARANTÍA

El Consejo de los Recursos del Aire de California y Powermate Corporation (de aquí en adelante denominada "Powermate") se complace en explicar la garantía del sistema de control de emisiones evaporativas (EECS por sus siglas en inglés) en su generador modelo 2006. En California, los generadores nuevos deben diseñarse, fabricarse y equiparse de manera que cumplan con los estrictos estándares contra emisiones de humo del estado. Powermate debe garantizar el EECS en su generador por los períodos de tiempo que se indican a continuación, siempre que no haya habido abuso, negligencia o mantenimiento incorrecto de su generador.

Su EECS incluye las siguientes piezas: Mangueras de combustible.

COBERTURA DE LA GARANTÍA DEL FABRICANTE:

Este sistema de control de emisiones evaporativas tiene una garantía de dos años. El período de garantía comienza en la fecha en que se le entregue el generador al comprador final.

Powermate garantiza al comprador final y a cualquier propietario subsiguiente que el generador (i) está diseñado, fabricado y equipado de acuerdo con todos los reglamentos aplicables; y (ii) no tiene defectos en materiales ni en mano de obra que pudieran provocar fallas en alguna de las piezas garantizadas que sea idéntica en lo que respecta al material a la pieza descrita en la solicitud de certificación de Powermate.

Si alguna de las piezas relacionadas con el sistema de emisiones evaporativas de su generador fallara, Powermate se compromete a repararla o reemplazarla por otra.

RESPONSABILIDADES DE LA GARANTÍA DEL PROPIETARIO:

Como propietario del generador, usted es responsable de que se le brinde el mantenimiento requerido que se indica en su manual del propietario. Powermate recomienda que guarde todos los recibos que hacen constar que se le dio mantenimiento a su generador; sin embargo, Powermate no puede negarse a prestar un servicio cubierto por la garantía, únicamente porque usted no cuenta con dichos recibos. No obstante, tenga en cuenta que Powermate puede negar la cobertura de su garantía si su generador o una pieza de éste ha fallado debido a abuso, negligencia, mantenimiento incorrecto o modificaciones no autorizadas.

Usted es responsable de llevar su generador a un centro de servicio de garantía autorizado de Powermate, en cuanto se presente el problema. Las reparaciones cubiertas por la garantía se realizarán en un período razonable, que no exceda 30 días. Si tiene alguna pregunta relacionada con la cobertura de su garantía, debe llamar al Servicio de Productos de Powermate al 1-800-445-1805.

DETALLES DE SU GARANTÍA

La garantía que cubre las piezas relacionadas con el sistema de emisiones evaporativas, sujeta a ciertas condiciones y exclusiones que se indican abajo, establece lo siguiente:

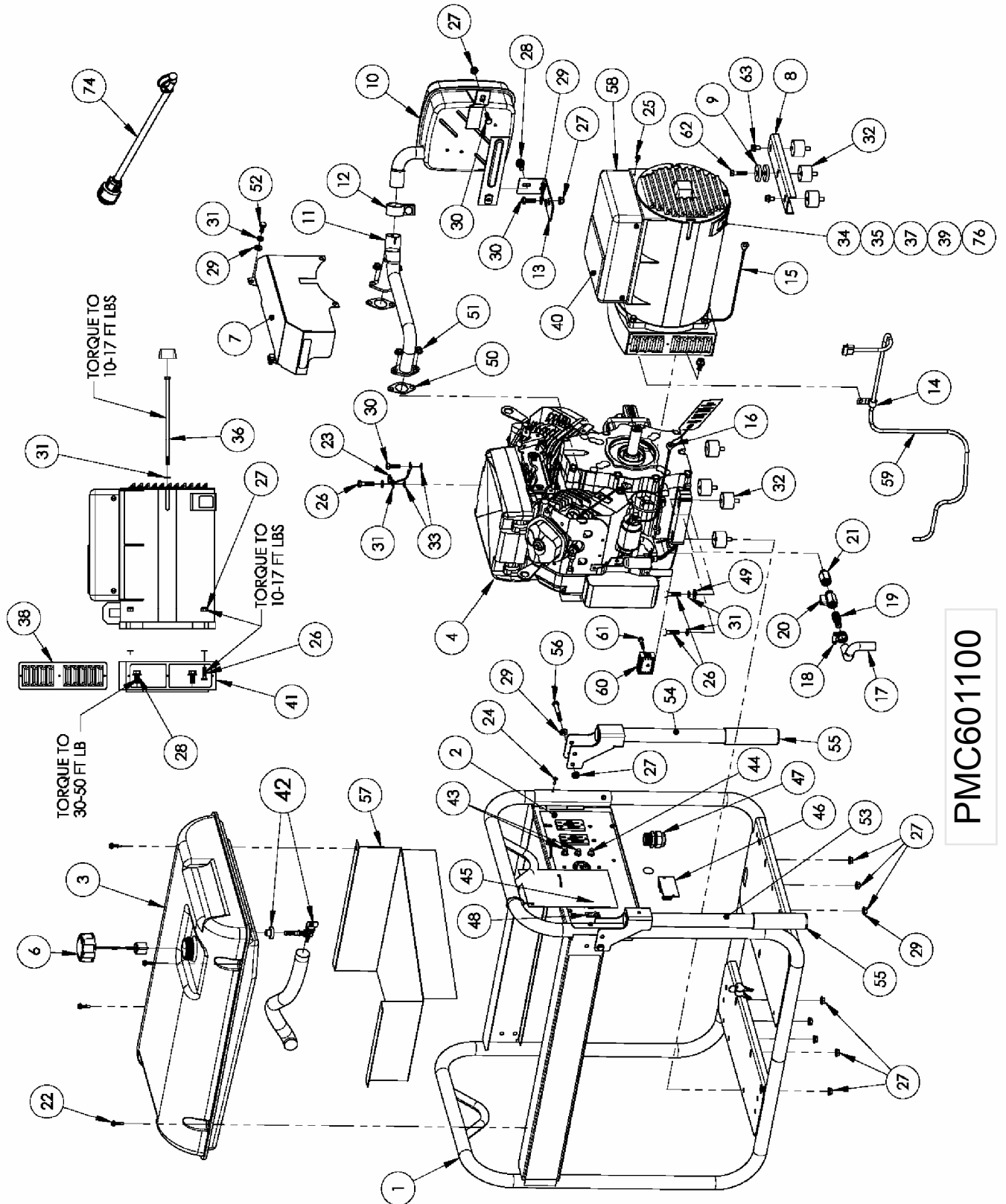
- (1) Cualquier pieza garantizada, no programada para ser reemplazada como parte del mantenimiento requerido en las instrucciones escritas que se le proporcionaron, está garantizada por el período que se indicó anteriormente. Si la pieza fallara durante el período de cobertura de la garantía, Powermate la reparará o reemplazará de acuerdo con la subsección (4) que se incluye más abajo. Dicha pieza reparada o reemplazada bajo la cobertura de la garantía, se garantizará por el resto del período.
- (2) Cualquier pieza garantizada, programada únicamente para inspección regular en las instrucciones escritas que se le proporcionaron, está garantizada por el período de la garantía que se indicó anteriormente. Dicha pieza reparada o reemplazada bajo la cobertura de la garantía, se garantizará por el resto del período de la garantía.
- (3) Cualquier pieza, programada para ser reemplazada como parte del mantenimiento requerido en las instrucciones que se le proporcionaron, está garantizada por el período de tiempo anterior a la fecha del primer reemplazo programado para esa pieza. Si la pieza fallara antes de la fecha del primer reemplazo programado, Powermate la reparará o reemplazará de acuerdo con la subsección (4) que se incluye a continuación. Dicha pieza reparada o reemplazada bajo la cobertura de la garantía, se garantizará por el resto del período, antes de la fecha del primer reemplazo programado para la pieza.
- (4) La reparación o reemplazo de cualquier pieza establecida en las cláusulas de la garantía, deberá efectuarse en un centro de servicio de garantía autorizado de Powermate, sin que el propietario incurra en gasto alguno.
- (5) El propietario del generador no deberá pagar la mano de obra del diagnóstico que esté directamente relacionado con el diagnóstico de una pieza del sistema de emisiones evaporativas en mal estado y garantizada, siempre que dicho diagnóstico sea llevado a cabo en un centro de servicio de garantía autorizado de Powermate.
- (6) Powermate es responsable de los daños hechos a otros componentes del motor o generador provocados inminentemente por una falla cubierta por la garantía, de alguna pieza garantizada.
- (7) Durante el período de garantía del generador, el cual se indica anteriormente, Powermate mantendrá un suministro suficiente de piezas garantizadas para satisfacer la demanda esperada de dichas piezas.
- (8) Para realizar el mantenimiento o las reparaciones cubiertos por la garantía podrá usarse cualquier pieza de repuesto, la cual deberá proporcionarse en forma gratuita al propietario. Dicho uso no reducirá las obligaciones de la garantía de Powermate.
- (9) No podrán utilizarse piezas incorporadas o modificadas que no estén exentas por el Consejo de los Recursos del Aire de California. Si el comprador final utilizara alguna pieza incorporada o modificada que no esté exenta, esto constituirá motivo de anulación de los reclamos de la garantía. Powermate no será responsable de garantizar daños en piezas garantizadas, provocados por el uso de una pieza modificada o incorporada que no está exenta.
- (10) La reparación o reemplazo de alguna pieza garantizada que de algún modo cumpla con los requisitos de la cobertura de la garantía, puede ser excluida de dicha cobertura si se comprueba que el generador ha sido sometido a abuso, negligencia o mantenimiento incorrecto y que dicho abuso, negligencia o mantenimiento incorrecto ha sido la causa directa de la reparación o cambio de la pieza.

PIEZAS GARANTIZADAS:

Las piezas del sistema de emisiones evaporativas que están cubiertas por la garantía son las siguientes:

Manguera de combustible.

PARTS DRAWING / SCHEMA DES PIÈCES / DIAGRAMA DE PIEZAS



PMC601100

PARTS LIST / LISTE DES PIÈCES / LISTA DE PIEZAS

REF. NO.	PART NO.	DESCRIPTION	DESCRIPTION	DESCRIPCIÓN	QTY
1	0062532	Carrier, assembly, full	Ensemble transport	Transportador, conjunto	1
2	0062520	Panel, wired complete	Tableau compl. câblé	Panel, abeado completo	1
3	Note C	Fuel tank Assembly	Assemb. complet du réservoir	Conjunto tanque	1
4	Note A	Engine, 20hp Honda	Moteur	Motor	1
6	0056231	Cap Fuel w/Gauge 6"	Capuchon, réservoir d'essence	Tapa combustible	1
7	0062523	Assy, deflector	Assemblage, déflecteur	Assemb. déflecteur	1
8	0056427	Assy, Stator bracket	Patte de fixation stator	Soporte, estator	1
9	0055620	Washer, flat .42 x 1.5	Rondelles plates	Arandela plana	2
10	0062503	Muffler	Silencieux	Silenciador	1
11	0062504	Manifold, Exhaust	Silencieux joint	Descarga colector de escape	1
12	0062498	Muffler Clamp	Silencieux joint	Grapa de silenciador	1
13	0050941.01	Muffler Bracket	Silencieux fixation	Soporte de silenciador.	1
14	0052931	Clamp, Vinyl J 1/2"	Collier	Abrazadera	1
15	0006253	Assy Wire Blk 8ga 17.25	Fil	Alambre	1
16	0006254	Assy Wire Red 8ga 17.25	Fil	Alambre	1
17	1130564770	Oil Drain Hose	Boyau de vidange d'huile acéite	Manguera para drenar el	6"
18	Note B	Clamp hose worm SAE6	Collier SAE6	Abrazadera SAE6	1
19	0057747	Fitting 3/8NPT x 1/2 barb	Raccord	Adaptador	1
20	0057746	Valve ball 3/8NPT M/F	Soupape	Válvula	1
21	0062499	Fitting 3/8NPTF 14mm-M	Raccord	Adaptador	1
22	0058618	Screw, #10 x 1	Vis	Tornillo	4
23	0049224	Assembly, ground wire	Ens. fil de masse tressé	Conjunto, cable trenzado a tierra	1
24	0053320	Screw HWH #10-14 x .63	Vis	Tornillo	4
25	0047864	Screw HSW #10-32 x .5	Vis	Tornillo	1
26	Note B	Bolt HH 5/16-18 x 1.5	Boulon	Perno	8
27	0048736	Nut Nyloc 5/16-18	Écrous nyloc	Tuerca, nyloc	26
28	0000919.01	Bolt whz 3/8-16 X 3/4	Boulon whz	Perno whz	5
29	Note B	Washer, flat 5/16	Rondelles plates	Arandela plana	13
30	Note B	Bolt HH 5/16-18 x 1	Boulon	Perno	7
31	Note B	Washer, lock 5/16	Contre-écrou	Arandela, de cierre	7
32	0051094	Isolator	Sectionneur	Aislador	7
33	Note B	Washer, star ext 5/16	Rondelles à dents	Arandela, estrella externa	3
34	0062580	Rotor, assembly	Rotor, ensemble	Rotor, conjunto	1
35	0062581	Diode	Diode	Diode	2
36	0062582	Bolt, rotor	Boulon, rotor	Perno, rotor	1
37	0062583	Stator, 60 Hz	Stator	Estator	1
38	0056629	Louvered Side Panel	Panneau latéral à persiennes	Tablero lateral con rejillas	2
39	0062584	Capacitor, 40 mfd 500V	Capaciteur	Capacitor	2
40	0062585	Generator Head cover	Couvercle de la tête de la génératrice	Cubierta del cabezal del generador	1
41	0056623	Adapter, engine	Adaptateur pour moteur	Adaptador, motor	1
42	0049114	Fuel valve with filter	Robinet de carburant avec filtre	Válvula combustible con filtro	1
43	0049071	Circuit Breaker 20A	Disjoncteurs	Cortacircuitos	2
44	0049382	Circuit Breaker 30A	Disjoncteurs	Cortacircuitos	1
45	0056705	Circuit Breaker 50A dual	Disjoncteurs	Cortacircuitos	1
46	0062543	I/C Module DC	Module de commande du ralenti	Módulo, control en vacío	1
47	0049291	Strain Relief	Réducteur de tension	Protección contra tirones	1
48	0050298	Rocker Switch	Interrupteur à bascule	Interruptor de balancín.	1
49	0049352	Washer, flat 5/16 W	Rondelles plates	Arandela plana	2
50	0062552	Gasket, manifold	Joint	Empaquetadura	2
51	0061393	Nut, whz 8mm	Écrous whz 8mm	Tuerca whz 8mm	4
52	0056813	Bolt HH M8 x 18mm	Boulon M8 x 18mm	Perno M8 x 18mm	2
53	0062550	Handle, left	Poignée, gauche	Manija, izquierda	1
54	0062551	Handle, right	Poignée, droite	Manija, derecho	1

PARTS LIST / LISTE DES PIÈCES / LISTA DE PIEZAS

REF. NO.	PART NO.	DESCRIPTION	DESCRIPTION	DESCRIPCIÓN	QTY
55	0062495	Grip, handle	Poignée	Empuñadura	2
56	Note B	Bolt HH 5/16-18 x 2.25	Boulon	Perno	2
57	0062540	Shield, heat	Écran de chaleur	Pantalla para el calor	1
58	0057183	Grommet 7/8 ID	Oeillet	Arandela de cabo	1
59	0062541	Assy, wire harness	Ensemble, d'harnais de fil	Conjunto de arrees de alambre	1
60	0062554	Rectifier	Redresseur	Rectificador	1
61	0062553	Bolt HH M6 x 30mm	Boulon M6 x 30mm	Perno M6 x 30mm	1
62	Note B	Bolt HH 5/16-18 x 1.25	Boulon	Perno	1
63	0049279	Bolt whz 5/16-18 X .50	Boulon whz	Perno whz	2
64	0062507	Wheel	Roue	Rueda	2
65	0056406	Wheel bracket	Ferrure de la roue	Ménsula de la rueda	2
66	0056237	Foot bracket	Ferrure de la pied	Ménsula de la pie	1
67	0008433	Foot, rubber	Pied	Pie	2
68	0056409	Strap, foot bracket	Sangler, ferrure de la pied	Correa, ménsula de la pie	1
69	0056444	Cap, axle	Capuchon	Tapa	2
70	0062510	Wheel spacer	Bague d'espacement	Espaciador de la rueda	2
71	Note B	Bolt HH 5/16-18 x 1.75	Boulon	Perno	4
72	0062174	Lanyard	Lanyard	Acollador	2
73	0059392	Pin, release	Epingle de relâchement	Alfileres de la liberación	2
74	0056680	Filler Flootool Funnel	Entonnoir	Embudo	1
75	Note B	Washer, flat 7/16	Rondelles plates	Arandela plana	2
76	0063133	Varistor	Varistor	Varistor	2

Note A: Powermate Corporation will not provide engines as replacement parts. Engines are covered through the engine manufacturer's warranty. Consult the accompanying engine manual or contact our service department for assistance.

Note B: These are standard parts available at your local hardware store.

Note C: Contact your nearest Coleman® Powermate® Service Center for replacement fuel tanks.



WARNING: To avoid possible personal injury or equipment damage, a registered electrician or an authorized service representative should perform installation and all service. Under no circumstances should an unqualified person attempt to wire into a utility circuit.

Remarque A: Powermate Corporation ne fournit pas de moteurs dans ses pièces détachées. Les moteurs sont couverts par la garantie du fabricant de moteurs. Consulter le manuel du moteur inclus ou contacter notre département de service après-vente pour toute assistance.

Remarque B: Ces pièces sont des pièces standard disponibles en quincaillerie.

Remarque C: Pour commander un réservoir de rechange, contacter Centre de service Coleman® Powermate® le plus proche.



AVERTISSEMENT: Pour éviter toute blessure personnelle ou dommage à l'équipement, l'installation et tout entretien devraient être effectués par un électricien qualifié ou un préposé au service autorisé. En aucun cas, une personne non-qualifiée ne devrait essayer de faire le raccord au circuit principal.

Nota A: Powermate Corporation no proporcionará los motores como repuestos. Los motores están cubiertos por medio de la garantía del fabricante del motor. Consulte el manual adjunto del motor o comuníquese con nuestro departamento de servicio para recibir ayuda al respecto.

Nota B: Estas son piezas estándar disponibles en su ferretería local.

Nota C: Para hacer pedidos de tanques, localice el Centro de Servicio de Coleman® Powermate® más cercano.



ADVERTENCIA: Para evitar posibles lesiones físicas o daños materiales, es necesario que la instalación y todo el servicio sea realizado por un electricista matriculado o representante de servicio autorizado. Bajo ninguna circunstancia debe permitirse que una persona que no está capacitada trate de manipular cables dentro del circuito de servicio eléctrico.




**4970 Airport Road
P. O. Box 6001
Kearney, NE 68848
1-800-445-1805
1-308-237-2181
Fax 1-308-234-4187**

© 2005 Powermate Corporation. All rights reserved.

Coleman® and  are registered trademarks of The Coleman Company, Inc. used under license.


Powermate® is a registered trademark of Powermate Corporation.

© 2005 Powermate Corporation. Tous droits réservés.

Coleman® et  sont des marques déposées de The Coleman Company, Inc. utilisées sous licence.

Powermate® est une marque déposée de Powermate Corporation.

© 2005 Powermate Corporation. Reservados todos los derechos.

Coleman® y  son marcas comerciales registradas de The Coleman Company, Inc. utilizadas bajo licencia.

Powermate® es una marca comercial registrada de Powermate Corporation.